

PRODUCT CATALOG

2021







CONTENT

Taps and showers
page 7

Showers
page 65

Kitchen mixers
page 85

MOFÉM Professional
page 119

Flexible inlet pipes
page 142

Spare parts program
page 149

Water, gas and heating fittings
page 161



ELEGANCE

It's for those who come up with an idea before the others do, those who aren't afraid to change, who are open to new things, who want to shape their home in their own style, and don't want to give up on the high quality and reliability what the MOFÉM brand represents. It's for those who are able to show that it can be done differently while taking responsibility for their environment.



STANDARD+

It carries all the features of the basic category while elevating it all to a higher level in terms of design and functionality. We recommend it to everyone who prefers modern look and design that isn't at the expense of functionality, people who are really moving forward with current trends free from extremes. This makes them an ornament of today's modern bathrooms.



BASIC

The core values and features that make the MOFÉM brand one of the best quality choices, even in the entry category: our high level of service, assistance network, 5 years guarantee, 10 years spare parts supply, tested components and certifications. The category combines traditional values well with the latest energy-saving solutions. The perfect choice for any bathroom!





During its 120 years of existence, MOFÉM has always strived to adapt its range to customer needs, keeping in mind both design and functionality.



5 YEARS GUARANTEE AND 10 YEARS PARTS SUPPLY

All MOFÉM mixers and shower systems have a 5-year guarantee. Within the framework of our extensive and comprehensive parts program, we undertake 10 years spare part support from last year production of the product.



SAFETY AND COMFORT

Ensuring the safe and comfortable use of our products is one of our top priorities. Our thermostatic mixers have a cold-touch system and a safety temperature STOP function. We take care of you and your family. The experience of a comfortable shower is no longer a dream. All you have to do is select the desired temperature and the thermostatic mixer keeps it running evenly until the end of your shower.



EASY TO CLEAN AND INSTALL

In addition to easy cleaning, we also created simple installation solutions when designing our products, so that our mixers, shower systems and accessories can be installed without the help of a specialist.



ENERGY SAVING, ENVIRONMENTAL PROTECTION

During the development of MOFÉM products, we place great emphasis on water and energy saving aspects. Environmentally conscious thinking appears in all our product ranges.





TAPS AND SHOWERS

Flow
page 8

Flame
page 10

Sky
page 14

Trend Plus
page 18

Zenit
page 22

Junior Evo
page 28

Pro
page 38

Golf
page 40

Treff
page 44

Junior
page 48

Bridge
page 52

Mambo-5
page 54

Eurostar
page 58

Boiler mixers
page 62

ELEGANCE

STANDARD+

BASIC



Flow

ELEGANCE

Features

Variety	<input type="checkbox"/>
Comfort	<input type="checkbox"/>
Water saving	<input type="checkbox"/>
Design	<input type="checkbox"/>

Washbasin variations



Featured functions



Scald-protected cartridge built into the washbasin
Forget scalds caused by high temperature water!



Perfect water flow
Coin Slot anti-scale aerator - use a coin to attach or remove the aerator.



More comfortable use
Bath/shower and shower mixers are available with 1750 mm shower hose.



ELEGANCE

Washbasin mixer M

51.346.28.50

- Coin Slot anti-scale aerator
- Scald protection
- Temperature limit on the ceramic cartridge



ELEGANCE

Washbasin mixer L

51.382.28.50

- Coin Slot anti-scale aerator
- Scald protection
- Temperature limit on the ceramic cartridge

Without pop up waste

51.386.28.50



ELEGANCE

Washbasin mixer XL

51.356.28.50

- Swivel high spout: 145 mm
- Coin Slot anti-scale aerator
- Scald protection
- Temperature limit on the ceramic cartridge



ELEGANCE

Bath/shower mixer

51.122.28.00

- Hand shower with anti-scale system, 1750 mm Anti-twist design shower hose and wall-mounted shower holder
- With automatic shower diverter
- With a noise reducers
- Coin Slot anti-scale aerator

Without shower set

51.121.28.00



ELEGANCE

Shower mixer

51.232.28.00

- Hand shower with anti-scale system, 1750 mm Anti-twist design shower hose and wall-mounted shower holder
- With a noise reducers

Without shower set

51.231.28.00



ELEGANCE

Sink mixer

51.915.28.00

- Swivel high spout: 200 mm
- Coin Slot anti-scale aerator



Flame

ELEGANCE

Features

Variety	<input type="checkbox"/>
Comfort	<input type="checkbox"/>
Water saving	<input type="checkbox"/>
Design	<input type="checkbox"/>

Washbasin variations



Featured functions



Water saving

The washbasin mixer contains an aerator that reduces water consumption to 5 l/min.



Sink mixers

Wide range of choices in terms of comfort, functionality and design.



ELEGANCE

Washbasin mixer

[40.342.28.50](#)

- Anti-scale aerator
- Aerator size: M24x1

Without pop up waste

[40.346.28.50](#)



ELEGANCE

Bidet mixer

[40.622.28.00](#)

- Anti-scale aerator
- Aerator size: M24x1



ELEGANCE

Bath/shower mixer

[40.122.28.00](#)

- Ducal hand shower with anti-scale system, 1750 mm shower hose and Ducal wall-mounted shower holder
- With automatic shower diverter
- With a noise reducers
- Anti-scale aerator
- Aerator size: M24x1

Without shower set

[40.121.28.00](#)





ELEGANCE

Shower mixer

40.232.28.00

- Ducal hand shower with anti-scale system, 1750 mm shower hose and Ducal wall-mounted shower holder
- With a noise reducers

Without shower set

40.231.28.00



ELEGANCE

Concealed bath/shower mixer

40.171.28.00

- With automatic shower diverter
- Concealed part included

Concealed shower mixer

40.241.28.00

- Concealed part included



ELEGANCE

Sink mixer

40.913.28.00

- Swivel high spout: 225 mm
- Anti-scale aerator
- Aerator size: M24x1



ELEGANCE

Sink mixer

40.938.28.00

- Swivel high spout: 210 mm
- Anti-scale aerator
- Pull-out shower with anti-scale system, 2 functions



ELEGANCE

Sink mixer

40.978.28.00

- Swivel high spout: 200 mm
- Anti-scale aerator
- Aerator size: M24x1
- Pull-out shower with anti-scale system, 2 functions



ELEGANCE

Sink mixer

40.994.28.00

- Swivel high spout: 210 mm
- Anti-scale aerator
- Aerator size: M24x1





Sky

ELEGANCE

Features

Variety	<input type="checkbox"/>
Comfort	<input type="checkbox"/>
Water saving	<input type="checkbox"/>
Design	<input type="checkbox"/>

Washbasin variations



Featured functions



Noise reducers

Bath and shower mixers are equipped with noise reduction elements that significantly reduce the noise level of the water circulating by the mixer.



Bidet mixer

Specially developed for bidets, modern style with pop up waste



ELEGANCE

Washbasin mixer

23.342.28.50

- Anti-scale aerator
- Aerator size: M24x1

Without pop up waste

23.346.28.50



ELEGANCE

Bidet mixer

23.622.28.00

- Anti-scale aerator
- Aerator size: M24x1



ELEGANCE

Bath/shower mixer

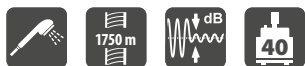
23.122.28.00

- Basic hand shower with anti-scale system, 1750 mm shower hose, wall-mounted hand shower holder
- With automatic shower diverter
- With a noise reducers
- Anti-scale aerator
- Aerator size: M24x1

Without shower set

23.121.28.00





ELEGANCE

Shower mixer

23.232.28.00

- Ducal hand shower with anti-scale system, 1750 mm shower hose and Ducal wall-mounted shower holder
- With a noise reducers

Without shower set

23.231.28.00



ELEGANCE

Concealed bath/shower mixer

23.171.28.00

- With automatic shower diverter
- Concealed part included

Concealed shower mixer

23.241.28.00

- Concealed part included



NEW



ELEGANCE

Sink mixer

23.938.28.00

- Swivel high spout: 221 mm
- Anti-scale aerator
- Pull-out shower with anti-scale system, 1 function



ELEGANCE

Sink mixer

23.913.28.00

- Swivel high spout: 225 mm
- Anti-scale aerator
- Aerator size: M24x1



ELEGANCE

Sink mixer

23.915.28.00

- Swivel high spout: 190 mm
- Anti-scale aerator
- Aerator size: M20x1



NEW



ELEGANCE

Sink mixer

23.939.28.00

- Stainless steel flexible swivel spout
- High resistance flexible ring
- Pull-down shower, 2 functions: normal and shower





Trend Plus

ELEGANCE

Features

Variety	<input type="checkbox"/>
Comfort	<input type="checkbox"/>
Water saving	<input type="checkbox"/>
Design	<input type="checkbox"/>

Washbasin variations



Featured functions



MULTI-BOX® The concealed mixer system

Multifunctionality, ease of use, space-saving solution and less space to clean, giving the bathroom a unified look.



Taps in a wide range of sizes

Washbasins are available in a wide range of shapes and sizes. Find the mixers that best fits your sink!



ELEGANCE

Washbasin mixer

150-1501-00

- Anti-scale aerator
- Aerator size: M24x1

Without pop up waste

150-1551-00



ELEGANCE

Washbasin mixer L

32.362.28.50

- Click pop up
- Anti-scale aerator
- Aerator size: M24x1



ELEGANCE

Washbasin mixer XL

32.322.28.50

- Click pop up
- Anti-scale aerator
- Aerator size: M24x1
- Easy Quick installation
- Designed for countertop basins



ELEGANCE

Washbasin mixer

150-1551-04

- Swivel high spout: 130 mm
- Anti-scale aerator
- Aerator size: M22x1



ELEGANCE

Bath/shower mixer

151-1501-00

- Ducal hand shower with anti-scale system, 1500 mm shower hose and Ducal wall-mounted shower holder
- With automatic shower diverter
- With a noise reducers
- Anti-scale aerator
- Aerator size: M24x1

Without shower set

151-1551-00



ELEGANCE

Shower mixer

153-1501-00

- Ducal hand shower with anti-scale system, 1500 mm shower hose and Ducal wall-mounted shower holder
- With a noise reducers

Without shower set

153-1551-00



ELEGANCE

Mini concealed shower mixer
153-1551-01

- Design plate
- Concealed part included



MULTI-BOX®



ELEGANCE

Concealed bath/shower mixer external part
151-1551-10

- With automatic shower diverter
- With metallic rosette
- For the Multi-Box concealed system

Concealed shower mixer external part
153-1551-10

- With metallic rosette
- For the Multi-Box concealed system



ELEGANCE

Sink mixer
152-1551-02

- Swivel high spout: 225 mm
- Anti-scale aerator
- Aerator size: M24x1



ELEGANCE

Sink mixer
152-1551-04

- Swivel high spout: 200 mm
- Anti-scale aerator
- Aerator size: M24x1
- Pull-out shower with anti-scale system, 2 functions

NEW



ELEGANCE

Sink mixer
152-1551-06

- Swivel high spout: 200 mm
- Anti-scale aerator
- Aerator size: M24x1
- With a noise reducers



ELEGANCE

Sink mixer
152-1551-07

- Swivel high spout: 180 mm
- ECO Click water saving system
- Anti-scale aerator
- Aerator size: M22x1

NEW



ELEGANCE

Medical washbasin mixer

159-1501-00

- Anti-scale aerator
- Aerator size: M24x1



ELEGANCE

Medical sink mixer

159-1551-02

- Swivel high spout: 225 mm
- Anti-scale aerator
- Aerator size: M24x1



ELEGANCE

Medical sink mixer

159-1551-06

- Swivel high spout: 200 mm
- Anti-scale aerator
- Aerator size: M24x1
- With a noise reducers





Zenit

ELEGANCE

Features

Variety	<input type="checkbox"/>	<input type="checkbox"/>	<input type="checkbox"/>	<input type="checkbox"/>	<input type="checkbox"/>	<input type="checkbox"/>
Comfort	<input type="checkbox"/>	<input type="checkbox"/>	<input type="checkbox"/>	<input type="checkbox"/>	<input type="checkbox"/>	<input type="checkbox"/>
Water saving	<input type="checkbox"/>	<input type="checkbox"/>	<input type="checkbox"/>	<input type="checkbox"/>	<input type="checkbox"/>	<input type="checkbox"/>
Design	<input type="checkbox"/>	<input type="checkbox"/>	<input type="checkbox"/>	<input type="checkbox"/>	<input type="checkbox"/>	<input type="checkbox"/>

Washbasin variations



Featured functions



Dual Control shower systems

Dual Control models combine the technology of traditional mixers with the modern design of thermostatic shower systems.

Why to choose Dual control?



Thermostatic shower systems

All our thermostatic shower mixers are equipped with the safety temperature STOP at 38 °C function to prevent undesired temperature changes, reducing the risk of scalding. We take care of the safety of you and your family!

NEW



ELEGANCE

Washbasin mixer

150-1901-00

- Anti-scale aerator
- Aerator size: M24x1

Without pop up waste

150-1951-00



ELEGANCE

High washbasin mixer

150-1951-01

- Anti-scale aerator
- Aerator size: M24x1
- Easy Quick installation
- Designed for countertop basins



ELEGANCE

Cascade Washbasin mixer

84.382.28-00

- Click pop up
- Anti-scale aerator
- Innovative anti-splash and water saving ECO system



ELEGANCE

Bidet mixer

154-1901-00

- Anti-scale aerator
- Aerator size: M24x1



ELEGANCE

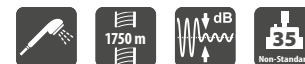
Bath/shower mixer

151-1901-00

- Zenit hand shower 3 functions with anti-scale system, 1750 mm Anti-twist shower hose, wall-mounted hand shower holder
- With automatic shower diverter
- With a noise reducers
- Anti-scale aerator
- Aerator size: M24x1

Without shower set

151-1951-00



ELEGANCE

Shower mixer

153-1901-00

- Zenit hand shower 3 functions with anti-scale system, 1750 mm Anti-twist shower hose, wall-mounted hand shower holder
- With a noise reducers

Without shower set

153-1951-00



NEW



ELEGANCE

Sink mixer

152-1951-03

- Swivel high spout: 210 mm
- Anti-scale aerator
- Aerator size: M24x1



ELEGANCE

High sink mixer

152-1951-00

- Swivel high spout: 225 mm
- Anti-scale aerator
- Aerator size: M24x1



NEW



ELEGANCE

Sink mixer

152-1951-01

- Swivel high spout: 200 mm
- Anti-scale aerator
- Aerator size: M22x1



NEW



ELEGANCE

Sink mixer

152-1951-02

- Swivel high spout: 240 mm
- Anti-scale aerator
- Aerator size: M22x1





NEW



ELEGANCE

Thermostatic shower mixer

84.201.28.00

- Cold touch system
- Integrated shower diverter
- Safety temperature STOP at 38 °C
- Check valves protected by filters

NEW

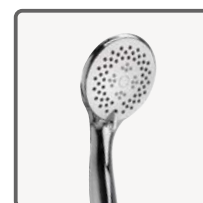


ELEGANCE

Thermostatic set

84.202.28.00

- Thermostatic shower mixer
- Safety temperature STOP at 38 °C
- Cold touch system
- integrated shower diverter
- 600 mm wall-mounted shower bar Ø25 mm
- Zenit hand shower 3 functions with anti-scale system
- Reinforced metal shower hose 1750 mm





ELEGANCE

Thermostatic shower system

170-1901-00

- Thermostatic shower mixer
- Safety temperature STOP at 38 °C
- Cold touch system
- Integrated automatic shower diverter
- With adjustable telescopic rail Ø25 mm, customisable height:
 - › Minimum height: 790 mm
 - › Maximum height: 1240 mm
- Adjustable hand shower holder
- Ultraslim shower head with anti-scale system Ø200 mm
- Zenit hand shower 3 functions with anti-scale system
- Reinforced metal shower hose 1500 mm



ELEGANCE

Dual Control shower system

153-1901-03

- Dual Control mixer
- Cold touch system
- Integrated shower diverter
- With adjustable telescopic rail Ø25 mm, customisable height:
 - › Minimum height: 970 mm
 - › Maximum height: 1310 mm
- Adjustable hand shower holder
- Ultraslim shower head with anti-scale system Ø250 mm
- Zenit hand shower 3 functions with anti-scale system
- PVC flexible shower hose 1500 mm with anti-twist system



ELEGANCE

Shower system

153-1901-01

- Zenit shower mixer
- Mechanical ceramic diverter
- With adjustable telescopic rail Ø22 mm, customisable height:
 - › Minimum height: 960 mm
 - › Maximum height: 1338 mm
- Adjustable hand shower holder
- Shower head with anti-scale system Ø200 mm
- Zenit hand shower 3 functions with anti-scale system
- Reinforced metal shower hose 1500 mm



ELEGANCE

Shower system with spout

153-1901-02

- Mixer with swivel spout
- Mechanical diverter
- With adjustable telescopic rail Ø22 mm, customisable height:
 - › Minimum height: 960 mm
 - › Maximum height: 1338 mm
- Adjustable hand shower holder
- Shower head with anti-scale system Ø200 mm
- Zenit hand shower 3 functions with anti-scale system
- Reinforced metal shower hose 1750 mm



VIDEO



Junior Evo

STANDARD +

Features

Variety	□□□□□□
Comfort	□□□□□□
Water saving	□□□□□□
Design	□□□□□□

Washbasin variations



Featured functions



Dual Control shower systems

Dual Control models combine the technology of traditional mixers with the modern design of thermostatic shower systems.



Concealed thermostatic mixers for MULTI-BOX® system.

In addition to all the advantages of MULTI-BOX® system, it is equipped with the temperature STOP at 38 °C function.



MOFÉM ECO Click

MOFÉM ECO Click is a water-saving system where the control unit collides when the handle is in a half-open position, letting through 50% of the total water flow. By opening the handle further, full water flow can be achieved.



STANDARD+

Washbasin mixer

150-0058-00

- Anti-scale aerator
- Aerator size: M24x1

Without pop up waste

150-0057-00



STANDARD+

High washbasin mixer

150-0060-00

- Swivel high spout: 150 mm
- Anti-scale aerator
- Aerator size: M24x1



STANDARD+

Evo X

Washbasin mixer

150-0074-00

- Swivel high spout: 130 mm
- Anti-scale aerator
- Aerator size: M22x1



STANDARD+

High washbasin mixer

150-0061-00

- Anti-scale aerator
- Aerator size: M24x1



NEW



STANDARD+

Cascade washbasin mixers

150-0075-00

- Click pop up
- Anti-scale aerator
- Innovative anti-splash and water saving ECO system



NEW



STANDARD+

Evo X

Washbasin mixer

25.376.29.00

- Swivel high spout: 130 mm
- Anti-scale aerator
- Aerator size: M22x1
- 90° ceramic headpart



STANDARD+

Boiler washbasin mixer

160-0020-00

- For boilers with open system and lower connection
- Swivel high spout: 150 mm
- Flow guide: M24x1



STANDARD+

Bath/shower mixer

151-0063-00

- Basic hand shower with anti-scale system, 1500 mm shower hose, wall-mounted hand shower holder
- With automatic shower diverter
- With a noise reducers
- Anti-scale aerator
- Aerator size: M24x1

Without shower set

151-0063-10

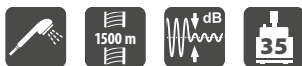


STANDARD+

Bidet mixer

154-0047-00

- Anti-scale aerator
- Aerator size: M24x1



STANDARD+

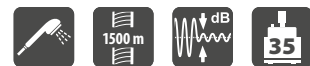
Shower mixer

153-0047-00

- Basic hand shower with anti-scale system, 1500 mm shower hose, wall-mounted hand shower holder
- With a noise reducers

Without shower set

153-0047-10



STANDARD+

Shower mixer with shower set and shower bar

153-0047-40

- Basic hand shower with anti-scale system, 1500 mm shower hose, Basic shower bar and adjustable hand shower holder
- 35 mm high ceramic cartridge
- With a noise reducers



MULTI-BOX®



STANDARD+

Concealed mixer external part 2 way

151-0066-00

- With automatic shower diverter
- With metallic rosette
- For the Multi-Box concealed system

Concealed mixer external part 1 way

153-0065-00

- With metallic rosette
- For the Multi-Box concealed system



MULTI-BOX®



STANDARD+

Concealed shower mixer 1 way

170-0006-00

- Safety temperature STOP at 38 °C
- Check valves protected by filters

Concealed shower mixer 2 way

170-0005-00

- Safety temperature STOP at 38 °C
- Check valves protected by filters



STANDARD+

Bath/washbasin mixer

155-0050-00

- Basic hand shower with anti-scale system, 1500 mm shower hose, wall-mounted hand shower holder
- With automatic shower diverter
- Swivel high spout: 300 mm
- Aerator size: M22x1

Without shower set

155-0050-10



STANDARD+

Bath/washbasin mixer

155-0069-00

- Basic hand shower with anti-scale system, 1500 mm shower hose, wall-mounted hand shower holder
- Automatic shower diverter integrated into the mixer body
- Swivel high spout: 300 mm
- Aerator size: M24x1

Without shower set

155-0070-00

Accessories for concealed mixers

MULTI-BOX® Concealed system

172-0001-00



Bath spout for concealed bath/shower mixer

169-0001-00



Wall-mounted hand shower holder for concealed mixers

169-0002-00



NEW

NEW



STANDARD+

Evo X

Thermostatic shower mixer

25.201.28.00

- Cold touch system
- Integrated shower diverter
- Safety temperature STOP at 38 °C
- Check valves protected by filters



STANDARD+

Junior Evo Shower system

153-0048-00

- Junior Evo shower mixer
- Automatic shower diverter (by default, water flows in the direction of the hand shower, and to the shower head when switched)
- With adjustable telescopic rail Ø25 mm, customisable height:
 - › Minimum height: 870 mm
 - › Maximum height: 1380 mm
- Adjustable hand shower holder
- Shower head with anti-scale system Ø200 mm
- Hand shower with anti-scale system (3 functions)
- Reinforced metal shower hose 1500 mm

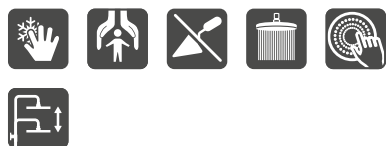


STANDARD+

Junior Evo Universal shower system

275-0059-07

- Universal installation system: can be connected to any non-concealed bath/shower and shower mixers
- Mechanical diverter (by default, water flows in the direction of the hand shower, and to the shower head when switched)
- With adjustable telescopic rail Ø25 mm, customisable height:
 - › Minimum height: 800 mm
 - › Maximum height: 1300 mm
- Adjustable hand shower holder
- Shower head with anti-scale system Ø200 mm
- Hand shower with anti-scale system (3 functions)
- Reinforced metal shower hose 1500 mm
- Metal flexible hose (80 cm) between the mixer and the shower system
- Attention: the mixer is not included!



STANDARD+

Evo X

Dual Control shower system

153-0049-00

- Dual Control mixer
- Cold touch system
- Integrated automatic shower diverter
- With adjustable telescopic rail Ø25 mm, customisable height:
 - › Minimum height: 790 mm
 - › Maximum height: 1240 mm
- Adjustable hand shower holder
- Ultraslim shower head with anti-scale system Ø200 mm
- Hand shower with anti-scale system (3 functions)
- Reinforced metal shower hose 1500 mm



NEW



STANDARD+

Evo X

Thermostatic shower system

170-0009-00

- Thermostatic shower mixer
- Safety temperature STOP at 38 °C
- Cold touch system
- Integrated shower diverter
- With adjustable telescopic rail Ø25 mm, customisable height:
 - › Minimum height: 790 mm
 - › Maximum height: 1240 mm
- Adjustable hand shower holder
- Shower head with anti-scale system Ø250 mm
- Hand shower 1 function with anti-scale system
- Reinforced metal shower hose 1500 mm



NEW



STANDARD+

Evo X

Thermostatic set

25.202.28.00

- Thermostatic shower mixer
- Safety temperature STOP at 38 °C
- Cold touch system
- Integrated shower diverter
- 600 mm wall-mounted shower bar Ø25 mm
- Hand shower 1 function with anti-scale system
- Reinforced metal shower hose 1750 mm



STANDARD+
Sink mixer
152-0049-00

- Swivel high spout: 225 mm
- Anti-scale aerator
- Aerator size: M24x1



STANDARD+
High sink mixer
152-0052-03

- Swivel high spout: 225 mm
- Anti-scale aerator
- Aerator size: M24x1



STANDARD+
Sink mixer
152-0050-00

- Swivel high spout: 200 mm
- Anti-scale aerator
- Aerator size: M24x1
- Pull-out shower with anti-scale system, 2 functions



STANDARD+
Sink mixer
152-0069-00

- Swivel high spout: 240 mm
- Anti-scale aerator
- Aerator size: M22x1



STANDARD+
Evo X
Sink mixer
152-0082-00

- Swivel high spout: 193 mm
- Anti-scale aerator
- Aerator size: M24x1
- Pull-out shower with anti-scale system, 1 function
- Easy Quick installation



STANDARD+
Evo X
Sink mixer
152-0052-02

- Swivel high spout: 200 mm
- Anti-scale aerator
- ECO Click water saving system
- Aerator size: M22x1



STANDARD+

Evo X
Sink mixer

152-0052-01

- Swivel high spout: 240 mm
- Anti-scale aerator
- ECO Click water saving system
- Aerator size: M22x1



STANDARD+

Evo X
Sink mixer

152-0052-00

- Swivel high spout: 180 mm
- Anti-scale aerator
- ECO Click water saving system
- Aerator size: M22x1



STANDARD+

Sink mixer

152-0048-00

- Swivel high spout: 210 mm
- Anti-scale aerator
- Aerator size: M24x1



STANDARD+

Sink mixer

152-0047-00

- Swivel high spout: 200 mm
- Anti-scale aerator
- Aerator size: M24x1
- With a noise reducers



STANDARD+

Sink mixer

152-0067-00

- Swivel high spout: 190 mm
- Anti-scale aerator
- Aerator size: M19x1



STANDARD+

Boiler sink mixer

160-0021-00

- For boilers with open system and lower connection
- Swivel high spout: 225 mm
- Flow guide: M24x1



NEW



STANDARD+

Evo X
Sink mixer

25.915.29.00

- Swivel high spout: 180 mm
- Anti-scale aerator
- Aerator size: M22x1
- 90° ceramic headpart



NEW



STANDARD+

Evo X
Sink mixer

25.994.29.00

- Swivel high spout: 200 mm
- Anti-scale aerator
- Aerator size: M22x1
- 90° ceramic headpart



NEW



STANDARD+

Evo X
Sink mixer

25.996.29.00

- Swivel high spout: 200 mm
- Anti-scale aerator
- Aerator size: M22x1
- 90° ceramic headpart





STANDARD+

Medical washbasin mixer

159-0021-00

- Anti-scale aerator
- Aerator size: M24x1



STANDARD+

Medical sink mixer

159-0023-00

- Swivel high spout: 200 mm
- Anti-scale aerator
- Aerator size: M24x1
- With a noise reducers



STANDARD+

Medical sink mixer

159-0022-00

- Swivel high spout: 225 mm
- Anti-scale aerator
- Aerator size: M24x1





Pro

STANDARD+

Features

Variety	<input type="checkbox"/>
Comfort	<input type="checkbox"/>
Water saving	<input type="checkbox"/>
Design	<input type="checkbox"/>

Washbasin variations



Featured functions



Water saving

The washbasin mixer contains an aerator that reduces water consumption to 5 l/min.



STANDARD+

Washbasin mixer

150-1701-00

- Anti-scale aerator
- Aerator size: M24x1

Without pop up waste

150-1751-00



STANDARD+

Washbasin mixer

150-1751-02

- Swivel high spout: 150 mm
- Anti-scale aerator
- Aerator size: M24x1



STANDARD+

Bidet mixer

154-1701-00

- Anti-scale aerator
- Aerator size: M24x1



STANDARD+

Bath/shower mixer

151-1701-00

- Basic hand shower with anti-scale system, 1500 mm shower hose, wall-mounted hand shower holder
- With automatic shower diverter
- Anti-scale aerator
- Aerator size: M24x1

Without shower set

151-1751-00



STANDARD+

Shower mixer

153-1701-00

- Basic hand shower with anti-scale system, 1500 mm shower hose, wall-mounted hand shower holder

Without shower set

153-1751-00



Golf

STANDARD +

Features

Variety	<input type="checkbox"/>
Comfort	<input type="checkbox"/>
Water saving	<input type="checkbox"/>
Design	<input type="checkbox"/>

Washbasin variations



Featured functions



Washbasin valve

For cold or pre-mixed water, with 180° ceramic headpart and anti-scale aerator.



Sink mixers

The Golf sink mixers are available with spouts of different shapes and sizes.



Wall-mounted mixers - Revamped design

The revamped bath and shower mixer has taken the Golf range to a whole new level.



STANDARD+

Washbasin mixer

140-1251-06

- Swivel high spout: 130 mm
- Anti-scale aerator
- Aerator size: M22x1
- 180° ceramic headpart



STANDARD+

Washbasin valve

146-1261-00

- For cold or pre-mixed water
- Aerator size: M22x1
- 180° ceramic headpart



STANDARD+

Bath/shower mixer

141-1301-00

- Basic hand shower with anti-scale system, 1500 mm shower hose, wall-mounted hand shower holder
- With automatic shower diverter
- Anti-scale aerator
- Aerator size: M24x1
- 180° ceramic headpart

Without shower set

141-1351-00



STANDARD+

Shower mixer

143-1301-00

- Basic hand shower with anti-scale system, 1500 mm shower hose, wall-mounted hand shower holder
- 180° ceramic headpart

Without shower set

143-1351-00





STANDARD+

Sink mixer

142-1351-02

- Swivel high spout: 240 mm
- Anti-scale aerator
- Aerator size: M22x1
- 180° ceramic headpart



STANDARD+

Sink mixer

142-1351-03

- Swivel high spout: 200 mm
- Anti-scale aerator
- Aerator size: M22x1
- 180° ceramic headpart



STANDARD+

Sink mixer

142-1351-01

- Swivel high spout: 180 mm
- Anti-scale aerator
- Aerator size: M22x1
- 180° ceramic headpart





Treff

STANDARD+

Features

Variety	<input type="checkbox"/>
Comfort	<input type="checkbox"/>
Water saving	<input type="checkbox"/>
Design	<input type="checkbox"/>

Washbasin variations



Featured functions



Three hole washbasin mixer

Traditional mixer in elegant form. The flow of hot and cold water can be controlled with two separate levers.



Shower system

Antica hand shower and shower head with anti-scale system that incorporates the traditional features of the Treff range.



STANDARD+

Three hole washbasin mixer

140-0017-00

- Anti-scale aerator
- Aerator size: M24x1
- 180° ceramic headpart



STANDARD+

Washbasin mixer

140-0189-30

- Anti-scale aerator
- Aerator size: M24x1
- 180° ceramic headpart

With pop up waste

140-0187-30



STANDARD+

Washbasin mixer

140-0018-30

- Swivel high spout: 130 mm
- Anti-scale aerator
- Aerator size: M22x1
- 180° ceramic headpart



STANDARD+

Washbasin mixer

140-0020-30

- Swivel high spout: 150 mm
- Anti-scale aerator
- Aerator size: M22x1
- 180° ceramic headpart
- Click pop up



STANDARD+

Bath/shower mixer

141-0013-30

- Antica hand shower with anti-scale system, 1500 mm shower hose and wall mount bracket
- Anti-scale aerator
- Aerator size: M24x1
- 180° ceramic headpart



STANDARD+

Shower mixer

143-0006-00

- Antica hand shower with anti-scale system, 1500 mm shower hose and wall mount bracket
- 180° ceramic headpart



STANDARD+

Sink mixer

142-0151-00

- Swivel high spout: 200 mm
- Anti-scale aerator
- Aerator size: M22x1
- 180° ceramic headpart



STANDARD+

Sink mixer

142-0010-30

- Swivel high spout: 200 mm
- Anti-scale aerator
- Aerator size: M22x1
- 180° ceramic headpart



STANDARD+

Treff Shower system

143-0007-00

- Treff shower mixer
- 180° ceramic headpart
- Mechanical diverter (water flows in the direction of the hand shower in the left position, and to the shower head when switched)
- With adjustable telescopic rail Ø25 mm, customisable height:
 - › Minimum height: 800 mm
 - › Maximum height: 1300 mm
- Adjustable hand shower holder
- Shower head with anti-scale system Ø200 mm
- Hand shower with anti-scale system 1 function
- Reinforced metal shower hose 1500 mm





VIDEO



Junior

BASIC

Features

Variety	<input type="checkbox"/>
Comfort	<input type="checkbox"/>
Water saving	<input type="checkbox"/>
Design	<input type="checkbox"/>

Washbasin variations



Featured functions



Shower mixer with fix rail

Shower mixer with fix rail (1105 mm), wall fixing set and Basic shower head with anti-scale system



Washbasin mixer with swivel spout

Washbasin mixers with a swivel spout provide easier access to the washbasin.



Wall-mounted sink mixer

A popular alternative to sink mixers to this day is the wall-mounted design. In addition to having a less crowded sink area, it is also an excellent choice if you have a smaller work area or a tiny kitchen.



BASIC

Washbasin mixer

150-0018-00

- Anti-scale aerator
- Aerator size: M24x1

Without pop up waste

150-0021-00



BASIC

Washbasin mixer

150-0050-00

- Swivel high spout: 150 mm
- Anti-scale aerator
- Aerator size: M24x1



BASIC

Bath/shower mixer

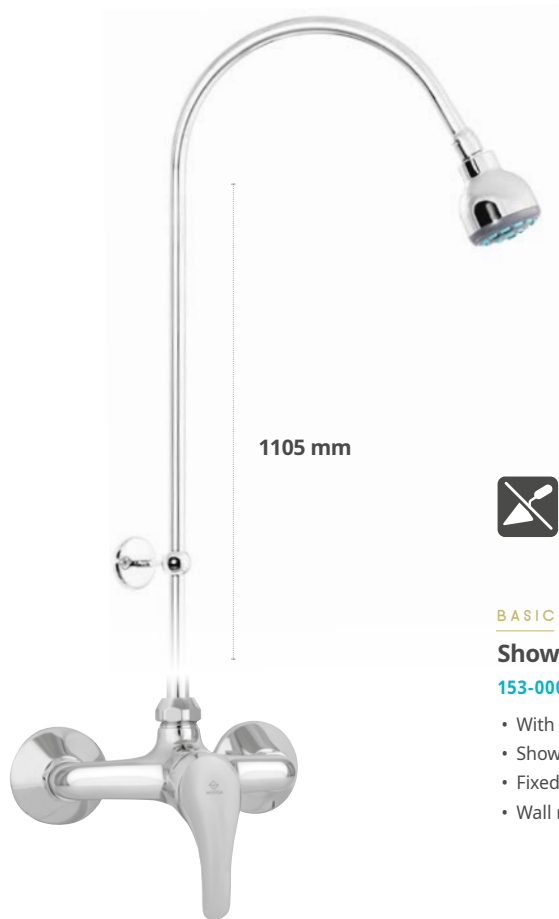
151-0012-00

- Basic hand shower with anti-scale system, 1500 mm shower hose, wall-mounted hand shower holder
- With automatic shower diverter
- Anti-scale aerator
- Aerator size: M24x1

Without shower set

151-0012-02





1105 mm



BASIC

Shower mixer

153-0009-31

- With upper connection (3/4")
- Shower head with anti-scale system Ø65 mm
- Fixed rail: 1105 mm
- Wall mounting kit



BASIC

Shower mixer

153-0009-00

- Basic hand shower with anti-scale system, 1500 mm shower hose, wall-mounted hand shower holder

Without shower set

153-0009-04

Recommended accessories



Glass shelf 520 mm

501-1050-00



Toilet roll holder without roof

501-1071-00



Trap

165-0027-00



Towel holder

501-1010-00



BASIC

Sink mixer

652-0042-00

- Swivel high spout: 225 mm
- Anti-scale aerator
- Aerator size: M24x1



BASIC

Sink mixer

152-0023-00

- Swivel high spout: 200 mm
- Anti-scale aerator
- Aerator size: M22x1



VIDEO



Bridge

BASIC

Features

Variety	<input type="checkbox"/>
Comfort	<input type="checkbox"/>
Water saving	<input type="checkbox"/>
Design	<input type="checkbox"/>

Washbasin variations



Featured functions



Bridge hand shower

The shower set version of the bath/washbasin and shower mixers are available with the anti-scale Bridge hand shower (Ø95 mm).



Rosette - new shape/design

The Bridge bath/shower mixer is available with a cover plate that matches the formal features of the range.



BASIC

Washbasin mixer

150-1801-00

- Anti-scale aerator
- Aerator size: M24x1

Without pop up waste

150-1851-00



BASIC

Bath/shower mixer

151-1801-00

- Bridge hand shower with anti-scale system, 1750 mm Anti-twist shower hose, wall-mounted shower holder
- With automatic shower diverter
- Anti-scale aerator
- Aerator size: M24x1

Without shower set

151-1851-00



BASIC

Shower mixer

153-1801-00

- Bridge hand shower with anti-scale system, 1500 mm Anti-twist shower hose, wall-mounted shower holder

Without shower set

153-1851-00



BASIC

Sink mixer

152-1851-00

- Swivel high spout: 225 mm
- Anti-scale aerator
- Aerator size: M24x1



VIDEO



Mambo-5

BASIC

Features

Variety	<input type="checkbox"/>
Comfort	<input type="checkbox"/>
Water saving	<input type="checkbox"/>
Design	<input type="checkbox"/>

Washbasin variations



Featured functions



Bath/shower mixer

Our two-in-one bath/washbasin mixers provide a solution for filling up the bathtub and washbasin using a single mixer - ideal in small bathrooms.



Wall-mounted sink mixer

A popular alternative to sink mixers to this day is the wall-mounted design. In addition to having a less crowded sink area, it is also an excellent choice if you have a smaller work area or a tiny kitchen.

NEW



BASIC

Washbasin mixer

150-0077-00

- Anti-scale aerator
- Aerator size: M24x1

Without pop up waste

150-0076-00



BASIC

Washbasin mixer

150-0051-00

- Swivel high spout: 150 mm
- Anti-scale aerator
- Aerator size: M24x1



BASIC

Bath/shower mixer

151-0021-00

- Basic hand shower with anti-scale system, 1500 mm shower hose, wall-mounted hand shower holder
- With automatic shower diverter
- Anti-scale aerator
- Aerator size: M24x1

Without shower set

151-0021-03



NEW



BASIC

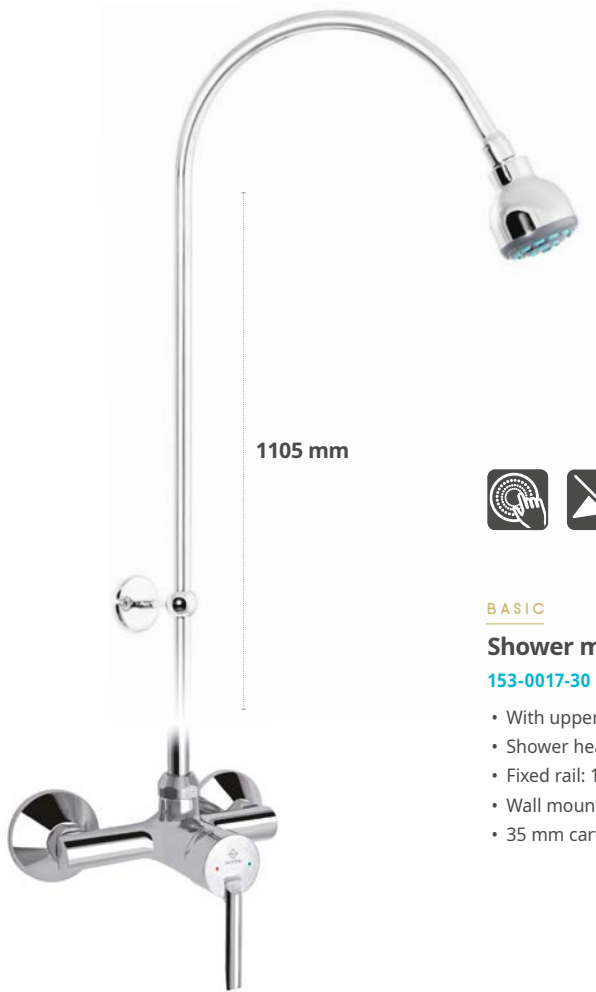
Bath/shower mixer

151-0068-00

- Basic hand shower with anti-scale system, 1500 mm shower hose, wall-mounted hand shower holder
- With automatic shower diverter
- Anti-scale aerator
- Aerator size: M24x1

Without shower set

151-0069-00



1105 mm



BASIC

Shower mixer

153-0017-30

- With upper connection (3/4")
- Shower head with anti-scale system Ø65 mm
- Fixed rail: 1105 mm
- Wall mounting kit
- 35 mm cartridge, high



BASIC

Shower mixer

153-0017-00

- Basic hand shower with anti-scale system, 1500 mm shower hose, wall-mounted hand shower holder

Without shower set

153-0017-03



BASIC

Bath/washbasin mixer

155-0044-00

- Basic hand shower with anti-scale system, 1500 mm shower hose, wall-mounted hand shower holder
- Swivel high spout: 300 mm
- Anti-scale aerator
- Aerator size: M24x1

Without shower set

155-0044-01

Recommended accessories



Shower hose 1500 mm

275-0041-07



Soap dispenser

501-1022-00



Basket soap holder

501-1020-00



Double hanger

501-1030-00



BASIC

Sink mixer

652-0072-00

- Swivel high spout: 225 mm
- Anti-scale aerator
- Aerator size: M24x1



BASIC

Sink mixer

152-0035-00

- Swivel high spout: 200 mm
- Anti-scale aerator
- Aerator size: M24x1



BASIC

Sink mixer

152-0034-00

- Swivel high spout: 180 mm
- Anti-scale aerator
- Aerator size: M22x1





Eurostar

BASIC

Features

Variety	<input type="checkbox"/>
Comfort	<input type="checkbox"/>
Water saving	<input type="checkbox"/>
Design	<input type="checkbox"/>

Washbasin variations



Featured functions



Boiler mixers

The boilers require the connection of a special mixer that prevents the build-up of overpressure in the boiler, thanks to its unique flow guide.



BASIC

Washbasin mixer

140-2198-00

- Swivel high spout: 130 mm
- Anti-scale aerator
- Aerator size: M22x1
- Classic headpart



BASIC

Bath/shower mixer

141-0094-00

- Basic hand shower with anti-scale system, 1500 mm shower hose, wall-mounted hand shower holder
- With automatic shower diverter
- Anti-scale aerator
- Aerator size: M24x1
- Classic headpart



BASIC

Bath/washbasin mixer

145-2069-00

- Basic hand shower with anti-scale system, 1500 mm shower hose, wall-mounted hand shower holder
- Swivel high spout: 300 mm
- Anti-scale aerator
- Aerator size: M22x1
- Classic headpart

Without shower set

145-2071-00

**Bath/washbasin mixer with shower set and shower bar**

145-2068-00

**Shower mixer with shower set and shower bar**

143-0109-00



BASIC

Shower mixer

143-0115-00

- Basic hand shower with anti-scale system, 1500 mm shower hose, wall-mounted hand shower holder
- Classic headpart

Without shower set

143-0111-00



BASIC

Shower mixer

143-0110-00

- With upper connection (3/4")
- Shower head with anti-scale system Ø65 mm
- Fixed rail: 1105 mm
- Wall mounting kit
- Classic headpart



BASIC

Sink mixer

142-2152-00

- Swivel high spout: 200 mm
- Anti-scale aerator
- Aerator size: M22x1
- Classic headpart



BASIC

Sink mixer

142-0148-00

- Swivel high spout: 200 mm
- Anti-scale aerator
- Aerator size: M22x1
- Classic headpart



BASIC

Boiler washbasin mixer

160-2004-02

- For boilers with open system and lower connection
- Swivel high spout: 130 mm
- Flow guide: M22x1
- Classic headpart



BASIC

Boiler sink mixer

160-2004-20

- For boilers with open system and lower connection
- Swivel high spout: 200 mm
- Flow guide: M22x1
- Classic headpart



BASIC

Boiler sink mixer

161-0028-01

- For boilers with open system and upper connection
- Swivel high spout: 200 mm
- Flow guide: M22x1
- Wall connection: 1/2"
- Classic headpart



BASIC

Standing valve

166-0042-00

- Anti-scale aerator
- Aerator size: M22x1
- Classic headpart



BASIC

Standing swivel spout

146-0033-00

- Swivel high spout: 130 mm
- Anti-scale aerator
- Aerator size: M22x1
- Classic headpart



BASIC

Wall-mounted swivel spout

146-0034-00

- Swivel high spout: 130 mm
- Anti-scale aerator
- Aerator size: M22x1
- Classic headpart

Recommended accessories



Shower hose 1500 mm

275-0041-07



Angle valve 1/2" - 3/8"

163-0006-00



Outlet valve 3/4"

162-0006-00





Boiler mixers

Featured functions



Flow guide

The individual flow guide prevents the build-up of overpressure that may occur in the boilers.



Easy to install

A standard wrench is sufficient to fit most models.



5 years guarantee

We offer a 5-year guarantee and a 10-year parts supply for MOFÉM mixers.



STANDARD+

Junior Evo

Boiler washbasin mixer

160-0020-00

- For boilers with open system and lower connection
- Swivel high spout: 150 mm
- Flow guide: M24x1



STANDARD+

Junior Evo

Boiler sink mixer

160-0021-00

- For boilers with open system and lower connection
- Swivel high spout: 225 mm
- Flow guide: M24x1



STANDARD+

Junior Evo

Boiler washbasin/sink mixer

161-0031-40

- For boilers with open system and upper connection
- Swivel high spout: 200 mm
- Flow guide: M22x1
- Wall connection: 1/2"



BASIC

Eurostar

Boiler mixer

160-2004-02

- For boilers with open system and lower connection
- Swivel high spout: 130 mm
- Flow guide: M22x1
- Classic headpart



BASIC

Eurostar

Boiler sink mixer

160-2004-20

- For boilers with open system and lower connection
- Swivel high spout: 200 mm
- Flow guide: M22x1
- Classic headpart



BASIC

Eurostar

Boiler sink mixer

161-0028-01

- For boilers with open system and upper connection
- Swivel high spout: 200 mm
- Flow guide: M22x1
- Wall connection: 1/2"
- Classic headpart





Showers

Showers systems

page 70

Showers sets

page 76

Hand showers and shower bars

page 77

Showers heads and shower arms

page 78

Fittings/accessories

page 79

Fiesta bathroom accessories

page 80

MOFÉM GO sets

page 82



THERMOSTATIC Shower system

Experience a comfortable and safe shower

Why is thermostatic mixer a good choice for you?

The thermostatic mixer can keep the water temperature at the selected temperature at all times. The set temperature won't change, even if there is water pressure or temperature change in the system. Hot and cold water are automatically mixed. All you have to do is select the temperature, and within a few seconds, the water will reach the desired temperature.



COLD-TOUCH SYSTEM

Some of our models include this extra security feature for an even higher level of protection.



SAFETY

All our thermostatic mixers are equipped with a safety temperature STOP function at 38°C, thus reducing the risk of scalding.



ENVIRONMENTAL PROTECTION

With the help of the MOFÉM thermostatic mixers, you can save water and energy, and protect the environment.



COLD TOUCH SYSTEM



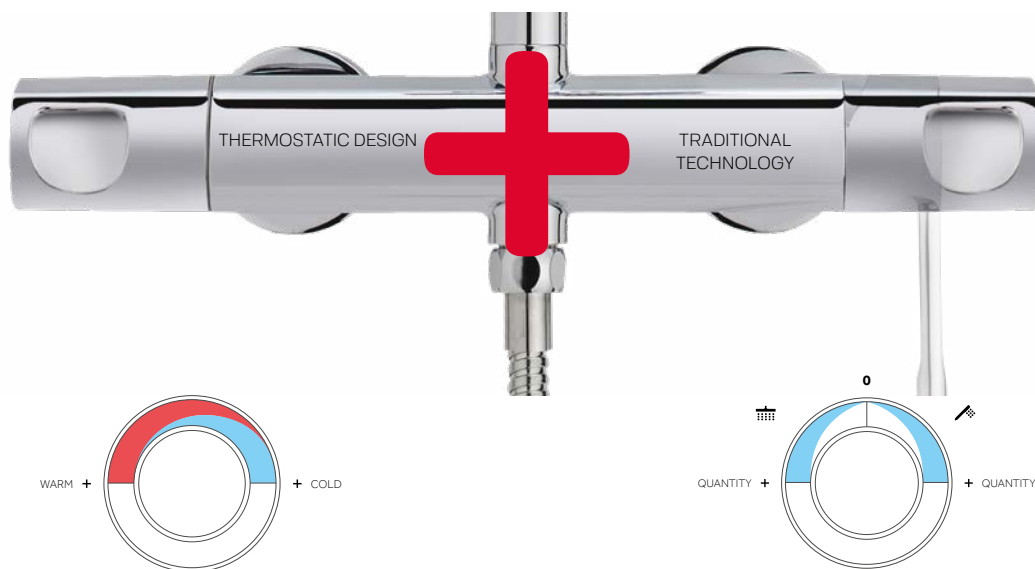
WATER FLOW IN THERMOSTATIC MIXERS



DUAL CONTROL Shower system

Modern design, traditional technology

The Zenit and Evo X families already have this revolutionary new technology. The Dual control mixer combines the operation of traditional mixers with the modern, sleek design of thermostatic models. Because the operating technology works the same way as in traditional mixers, it requires no special maintenance. Due to its internal design, the external metal cover of the mixer doesn't come into contact with hot water and it doesn't heat up, thus providing protection against scalding.



TEMPERATURE CONTROL

The right lever regulates the temperature as a conventional single lever mixer: by turning the lever to the right or left position whether we desire hot or cold water.

THE LEFT LEVER HAS A DOUBLE FUNCTION:

determines the location of the water flow (shower head or hand shower) and controls the amount of water flowing through.

Boilers



Optimal performance is achieved with both electric and gas boilers.

Safe touch



The tap is internally fitted with a state-of-the-art plastic core able to handle high temperatures without deformation, this prevents the hot water temperature from passing through the outer metal casing, which avoid scalding.



Maintenance

It doesn't require any special maintenance.





SHOWER SYSTEM WITH SINGLE-LEVER MIXER

The eternal classic

Different designs so everyone can find the one that best suits their style.



Thanks to the anti-scale system of the hand showers and shower heads, the shower systems are easy to keep clean.



The desired overhead shower height can be set with the adjustable telescopic rail.



DIY installation - install the shower system easily without masonry work.



Extra water flow for the perfect shower experience.

SHOWER SYSTEM WITH TWO-HANDLE MIXER

Nostalgia in the bathroom

Two-handle mixers have undergone tremendous development from the beginning to the present day. Over the years, they have been constantly adapted to changing needs, maintaining their popularity to this day. The elegant, classic-lined Treff shower system with the two-handle mixer is the perfect choice if you want to bring a little bit of vintage style into your bathroom. In addition to the high-flow Antica shower head and Antica hand shower, the mechanical shower diverter and the adjustable shower holder also represent the nostalgic trend. We pay attention to the details.

The 180° ceramic control unit ensures the fine adjustment of the mixer, the desired temperature can be easily set.

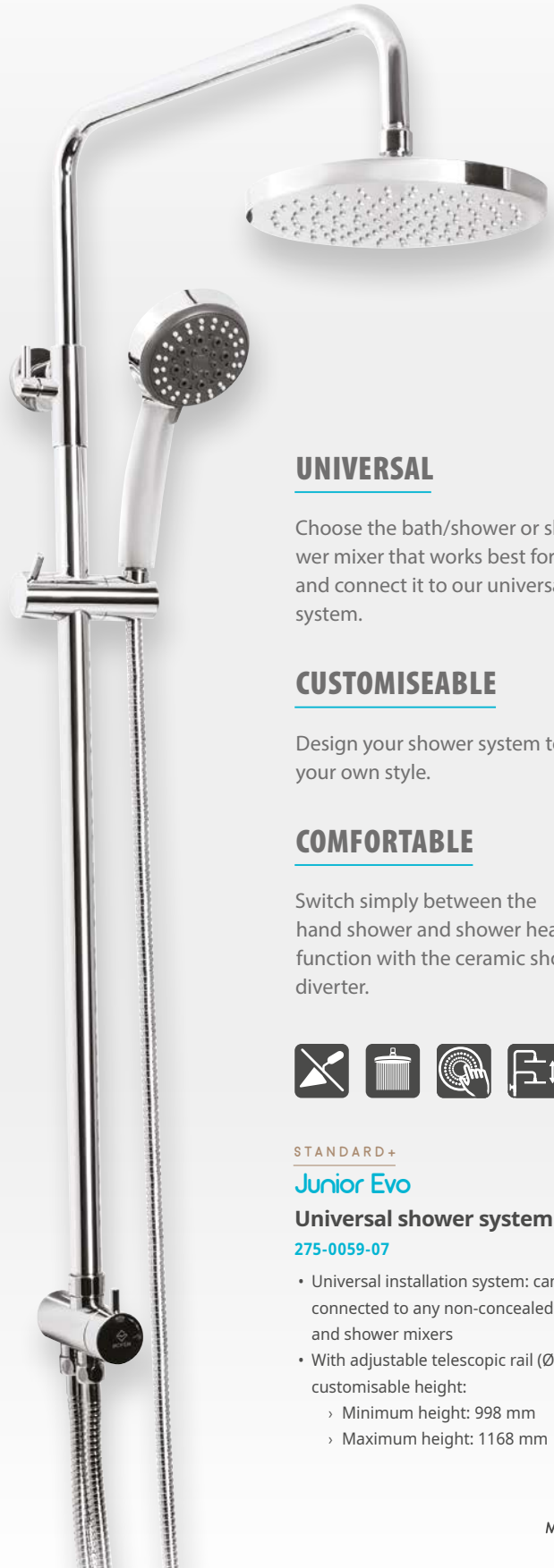


UNIVERSAL SYSTEM

The customisable comfort

Customise your shower system to best suit your needs.

After a long, tiring day, we often want nothing more than a good hot shower. Showering helps you relax and relieve tension. And with a well-chosen shower system, you can experience the real SPA experience in your bathroom.



UNIVERSAL

Choose the bath/shower or shower mixer that works best for you, and connect it to our universal system.

CUSTOMISEABLE

Design your shower system to your own style.

COMFORTABLE

Switch simply between the hand shower and shower head function with the ceramic shower diverter.



STANDARD+

Junior Evo

Universal shower system

275-0059-07

- Universal installation system: can be connected to any non-concealed bath/shower and shower mixers
- With adjustable telescopic rail (Ø25 mm), customisable height:
 - › Minimum height: 998 mm
 - › Maximum height: 1168 mm



ELEGANCE

Zenit

Thermostatic shower system

170-1901-00

- Thermostatic shower mixer
- Safety temperature STOP at 38 °C
- Cold touch system
- Integrated shower diverter
- With adjustable telescopic rail (Ø25 mm), customisable height:
 - › Minimum height: 790 mm
 - › Maximum height: 1240 mm
- Adjustable hand shower holder
- Ultraslim shower head with anti-scale system Ø200 mm
- Zenit hand shower 3 functions with anti-scale system
- Reinforced metal shower hose 1500 mm



ELEGANCE

Zenit

Dual Control shower system

153-1901-03

- Dual Control mixer
- Cold touch system
- Integrated shower diverter
- With adjustable telescopic rail (Ø25 mm), customisable height:
 - › Minimum height: 970 mm
 - › Maximum height: 1310 mm
- Adjustable hand shower holder
- Ultraslim shower head with anti-scale system Ø250 mm
- Zenit hand shower 3 functions with anti-scale system
- PVC flexible shower hose 1500 mm with anti-twist system



ELEGANCE

Zenit

Shower system

153-1901-01

- Zenit shower mixer
- Mechanical ceramic diverter
- With adjustable telescopic rail (Ø22 mm), customisable height:
 - › Minimum height: 960 mm
 - › Maximum height: 1338 mm
- Adjustable hand shower holder
- Shower head with anti-scale system Ø200 mm
- Zenit hand shower 3 functions with anti-scale system
- Reinforced metal shower hose 1500 mm



ELEGANCE

Zenit

Shower system with spout

153-1901-02

- Mixer with swivel spout
- Mechanical diverter
- With adjustable telescopic rail (Ø22 mm), customisable height:
 - › Minimum height: 960 mm
 - › Maximum height: 1338 mm
- Adjustable hand shower holder
- Shower head with anti-scale system Ø200 mm
- Zenit hand shower 3 functions with anti-scale system
- Reinforced metal shower hose 1750 mm



NEW



STANDARD+

Evo X

Thermostatic shower system

170-0009-00

- Thermostatic shower mixer
- Safety temperature STOP at 38 °C
- Cold touch system
- Integrated shower diverter
- With adjustable telescopic rail (Ø25 mm), customisable height:
 - › Minimum height: 790 mm
 - › Maximum height: 1240 mm
- Adjustable hand shower holder
- Shower head with anti-scale system Ø250 mm
- Hand shower 1 function with anti-scale system
- Reinforced metal shower hose 1500 mm



STANDARD+

Evo X

Dual Control shower system

153-0049-00

- Dual Control mixer
- Cold touch system
- Integrated automatic shower diverter
- With adjustable telescopic rail (Ø25 mm), customisable height:
 - › Minimum height: 790 mm
 - › Maximum height: 1240 mm
- Adjustable hand shower holder
- Ultraslim shower head with anti-scale system Ø200 mm
- Hand shower 3 function with anti-scale system
- Reinforced metal shower hose 1500 mm





NEW



ELEGANCE

Zenit

Thermostatic set

84.202.28.00

- Thermostatic shower mixer
- Safety temperature STOP at 38 °C
- Cold touch system
- integrated automatic shower diverter
- 600 mm wall-mounted shower bar Ø25 mm
- Zenit hand shower 3 functions with anti-scale system
- Reinforced metal shower hose 1750 mm



NEW



STANDARD+

Evo X

Thermostatic set

25.202.28.00

- Thermostatic shower mixer
- Safety temperature STOP at 38 °C
- Cold touch system
- Integrated automatic shower diverter
- 600 mm wall-mounted shower bar Ø25 mm
- Hand shower 1 function with anti-scale system
- Reinforced metal shower hose 1750 mm



STANDARD+

Junior Evo Shower system

153-0048-00

- Junior Evo shower mixer
- Automatic shower diverter (by default, water flows in the direction of the hand shower, and to the shower head when switched)
- With adjustable telescopic rail (Ø25 mm), customisable height:
 - › Minimum height: 870 mm
 - › Maximum height: 1380 mm
- Adjustable hand shower holder
- Shower head with anti-scale system Ø200 mm
- Hand shower with anti-scale system (3 functions)
- Reinforced metal shower hose 1500 mm



STANDARD+

Junior Evo Universal shower system

275-0059-07

- Universal installation system: can be connected to any non-concealed bath/shower and shower mixers
- Mechanical diverter (by default, water flows in the direction of the hand shower, and to the shower head when switched)
- With adjustable telescopic rail (Ø25 mm), customisable height:
 - › Minimum height: 998 mm
 - › Maximum height: 1168 mm
- Adjustable hand shower holder
- Shower head with anti-scale system Ø200 mm
- Hand shower with anti-scale system (3 functions)
- Reinforced metal shower hose 1500 mm
- Metal flexible hose (60 cm) between the mixer and the shower system
- Attention: the mixer is not included!

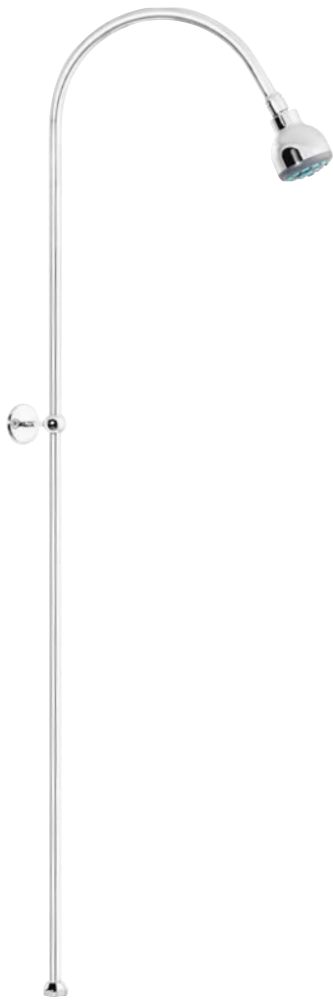


STANDARD+

Treff Shower system

143-0007-00

- Treff shower mixer
- Mechanical diverter (water flows in the direction of the hand shower in the left position, and to the shower head when switched)
- With adjustable telescopic rail (Ø25 mm), customisable height:
 - › Minimum height: 800 mm
 - › Maximum height: 1300 mm
- Adjustable hand shower holder
- Shower head with anti-scale system Ø200 mm
- Hand shower with anti-scale system 1 function
- Reinforced metal shower hose 1500 mm



BASIC

Basic

Shower system

279-0076-08

- Fixed rail 1105 mm
- Shower head with anti-scale system Ø65 mm
- With 3/4" connection nut
- Wall mounting kit
- Attention: the mixer is not included!





Basic
Shower set
275-0031-07

- Basic hand shower
 - › 1 function: Rain
 - › Ø 70 mm
- Basic shower bar
 - › Adjustable hand shower holder
 - › Ø18 mm
 - › Shower bar: 550 mm
 - › Soap dish with tray
- Reinforced metal shower hose
 - › 1500 mm



Ducal
Shower set
275-0043-07

- Ducal hand shower
 - › 1 function: Rain
 - › Ø 85 mm
- Basic shower bar
 - › Adjustable hand shower holder
 - › Ø18 mm
 - › Shower bar: 550 mm
- Reinforced metal shower hose
 - › 1500 mm



Basic
Shower set
275-0032-07

- Basic wall-mounted shower holder
- Basic hand shower
 - › 1 function: Rain
- Ø 70 mm
- Reinforced metal shower hose 1500 mm



Ducal
Shower set
275-0033-07

- Ducal wall-mounted shower holder
- Ducal hand shower
 - › 1 function: Rain
- Ø 85 mm
- Reinforced metal shower hose 1500 mm





Zenit
Hand shower
175-0003-00

- 3 functions:
 - › Rain
 - › Massage
 - › Soft
- Anti-scale
- Ø 100 mm



Bridge
Hand shower
175-0004-00

- 1 function:
 - › Rain
- Anti-scale
- Ø 95 mm



Ducal
Hand shower
275-0036-07

- 1 function:
 - › Rain
- Anti-scale
- Ø 85 mm



Antica
Hand shower
275-0037-07

- 1 function:
 - › Rain
- Anti-scale
- Ø 50 mm



Basic
Hand shower
275-0035-07

- 1 function:
 - › Rain
- Anti-scale
- Ø 70 mm



Basic
Shower bar
275-0034-07

- Adjustable hand shower holder
- Ø 18 mm
- 550 mm





Zenit
Shower head

175-0005-00

- Ultraslim
- Size: Ø200 mm
- Anti-scale
- Swivel ball joint



Evo X
Shower head

175-0006-00

- Size: Ø250 mm
- Anti-scale
- Swivel ball joint



Evo X
Shower head

175-0001-00

- 100% chrome finish
- Size: Ø200 mm
- Anti-scale
- Swivel ball joint



Antica
Shower head

175-0002-00

- Size: Ø200 mm
- Anti-scale
- Swivel ball joint



Basic
Shower head

175-0042-07

- 1 function
- Anti-scale
- Ø65 mm
- Swivel ball joint



Shower arm 90° x 400

169-0003-02

- Ø 20 mm
- Thread 1/2"
- Chrome-plated brass



Shower arm 90° x 300

169-0003-03

- Ø 20 mm
- Thread 1/2"
- Chrome-plated brass



Shower arm 45° x 200

169-0003-01

- Ø 20 mm
- Thread 1/2"
- Chrome-plated brass



Shower arm 45° x 150

169-0003-00

- Ø 20 mm
- Thread 1/2"
- Chrome-plated brass



Design shower hose

175-0014-02

- 1750 mm shower hose with anti-twist system



Basic
Expendable shower hose

275-0055-07

- 1450-2300 mm



Basic
Shower hose

275-0041-07

- 1500 mm
- Stainless steel



Basic
Shower holder
 275-0038-07
 • Adjustable



Ducal
Shower holder
 275-0039-07
 • Adjustable



Bath spout
 169-0001-00
 • For concealed bath/shower mixer
 • Size: 185 mm



Basic
Soap dish
 275-0054-07
 • Pissoire flush valve with drainage design
 • For Ø18 mm shower bar



Wall-mounted hand shower holder
 169-0002-00
 • For concealed mixers





Fiesta

STANDARD+

Features

Variety	<input checked="" type="checkbox"/>
Comfort	<input checked="" type="checkbox"/>
Design	<input checked="" type="checkbox"/>

Featured functions



Easy to install

A standard wrench is sufficient to fit most models.



High resistance

Fiesta bathroom accessories are made of high quality brass, guaranteeing a long product life.



Easy to clean

Thanks to the chrome-plated brass surfaces, the accessories can be cleaned in the same way as the mixers.

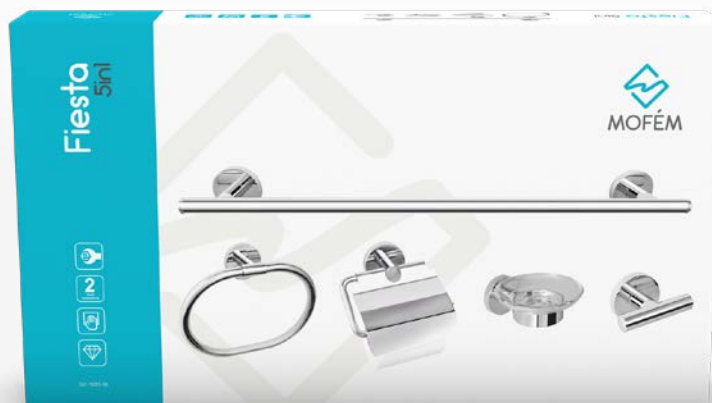
STANDARD+

Fiesta 5in1

501-1081-00

Bathroom accessory sets

- Towel holder ring
- Towel holder 600 mm
- Toilet roll holder without roof
- Soap dish
- Double hanger



NEW



STANDARD+

Double hanger

501-1030-00



STANDARD+

Glass holder with glass

501-1040-00

- Glass 501-1040-01



STANDARD+

Soap dispenser

501-1022-00

- Soap dispenser with pump 501-1022-01



STANDARD+

Soap holder with dish

501-1021-00

- Glass plate 501-1021-01



STANDARD+

Basket soap holder

501-1020-00



STANDARD+

Towel holder ring

501-1012-00

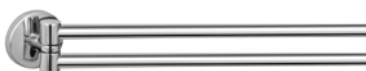


STANDARD+

Towel holder

501-1010-00

- Size: 600 mm



STANDARD+

Towel holder, swinging

501-1013-00

- Size: 430 mm



STANDARD+

Glass shelf

501-1050-00

- Size: 520 mm
- Glass plate 501-1050-01



STANDARD+

Towel holder, double

501-1011-00

- Size: 600 mm



STANDARD+

Toilet roll holder,

With roof 501-1070-00

Without roof 501-1071-00



STANDARD+

Grab bar

501-1060-00

- Size: 350 mm



STANDARD+

Toilet roll holder

501-1072-00



STANDARD+

Toilet brush with wall-mounted holder

501-1080-00

- Ceramic holder 501-1080-01
- Toilet brush 501-1080-02



MOFÉM GO

Featured functions



Anti-scale aerator

The anti-scale system prolongs the life of the aerator.



Easy to install

A standard wrench is sufficient to fit most models.



5 years guarantee

We offer a 5-year guarantee and a 10-year parts supply for MOFÉM mixers.



Pro 3in1 156-0001-00

Pro washbasin mixer

- Anti-scale aerator (5 l/min)
- Without pop up waste



Pro bath/shower mixer

- With automatic shower diverter
- Anti-scale aerator



Basic shower system

- Basic hand shower
 - > 1 function: Rain
- Basic shower bar with adjustable shower holder and soap dish
- 550 mm, Ø18 mm
- Reinforced metal shower hose 1500 mm



Evo 1B 1D 156-0003-00

Evo 1B 1D sink

- Inset
- Made of high quality AISI 304 stainless steel
- Hygienic, heat resistant and extremely durable surface
- The width of the sink cabinet (module) in the middle of the row is min. 45 cm
- Sizes: [W x H] 780 x 435 mm, [W x H x L] 368 x 338 x 150 mm



Junior Evo sink mixer

- Anti-scale aerator



Siphon kit

- 1 1/2" siphon kit with rubber drain plug



Evo 1B 156-0002-00

Evo 1B sink

- Inset
- Made of high quality AISI 304 stainless steel
- Hygienic, heat resistant and extremely durable surface
- The width of the sink cabinet (module) in the middle of the row is min. 40 cm
- Sizes: [W x H] 465 x 465 mm, [H] 150 mm



Pro sink mixer

- Spout: 225mm
- Anti-scale aerator



Siphon kit

- 1 1/2" siphon kit with rubber drain plug





Solutions for your kitchen

Sink mixers
page 87

MOFÉM GO kitchen sets
page 100



Solutions for your kitchen

The kitchen is the place where life always takes place, where we spend a lot of time. Preparing for a family lunch, barbecue party, making cakes with the kids ...

One of the most commonly used kitchen utensil is the sink mixer. That's why we need to think carefully about what type we choose for our kitchen. The well-chosen mixer, adapted to our needs, makes work easier, thus making the time spent here even more pleasant.

Various settings and function solutions - find the mixer that best suits your needs.

Don't forget about saving water in the kitchen! Some of our models are **equipped with** the ECO Click water saving system that lets through 50% of the total water flow.

The sink is full and you need to fill a dish? No problem: enjoy the fantastic **benefits of the pull-out shower** and professional mixers.

A popular alternative to sink mixers to this day is the **wall-mounted design**. In addition to having a less crowded sink area, it is also an excellent choice if you have a smaller work area or a tiny kitchen.



ELEGANCE

Flow
Sink mixer

51.915.28.00

- Swivel high spout: 200 mm
- Coin Slot anti-scale aerator



ELEGANCE

Flame
Sink mixer

40.913.28.00

- Swivel high spout: 225 mm
- Anti-scale aerator
- Aerator size: M24x1



ELEGANCE

Flame
Sink mixer

40.938.28.00

- Swivel high spout: 210 mm
- Anti-scale aerator
- Pull-out shower with anti-scale system, 2 functions



ELEGANCE

Flame
Sink mixer

40.978.28.00

- Swivel high spout: 200 mm
- Anti-scale aerator
- Aerator size: M24x1
- Pull-out shower with anti-scale system, 2 functions



ELEGANCE

Flame
Sink mixer

40.994.28.00

- Swivel high spout: 211 mm
- Anti-scale aerator
- Aerator size: M24x1



ELEGANCE

Sky
Sink mixer

23.913.28.00

- Swivel high spout: 225 mm
- Anti-scale aerator
- Aerator size: M24x1



NEW



ELEGANCE

Sky
Sink mixer

23.938.28.00

- Swivel high spout: 221 mm
- Anti-scale aerator
- Pull-out shower with anti-scale system, 1 function



NEW



ELEGANCE

Sky
Sink mixer

23.939.28.00

- Stainless steel flexible swivel spout
- High resistance flexible ring
- Pull-down shower, 2 functions: normal and shower



ELEGANCE

Sky
Sink mixer

23.915.28.00

- Swivel high spout: 193 mm
- Anti-scale aerator
- Aerator size: M20x1



ELEGANCE

Trend Plus
Sink mixer

152-1551-07

- Swivel high spout: 180 mm
- ECO Click water saving system
- Anti-scale aerator
- Aerator size: M22x1



ELEGANCE

Trend Plus
Sink mixer

152-1551-02

- Swivel high spout: 225 mm
- Anti-scale aerator
- Aerator size: M24x1



ELEGANCE

Trend Plus
Sink mixer

152-1551-06

- Swivel high spout: 200 mm
- Anti-scale aerator
- Aerator size: M24x1
- With a noise reducers

NEW



MOFEM





ELEGANCE

Trend Plus
Sink mixer

152-1551-04

- Swivel high spout: 200 mm
- Anti-scale aerator
- Aerator size: M24x1
- Pull-out shower with anti-scale system, 2 functions

NEW



ELEGANCE

Zenit
Washbasin mixer

152-1951-03

- Swivel high spout: 210 mm
- Anti-scale aerator
- Aerator size: M24x1



ELEGANCE

Zenit
High sink mixer

152-1951-00

- Swivel high spout: 225 mm
- Anti-scale aerator
- Aerator size: M24x1

NEW



ELEGANCE

Zenit
Washbasin mixer

152-1951-01

- Swivel high spout: 200 mm
- Anti-scale aerator
- Aerator size: M24x1

NEW



ELEGANCE

Zenit
Washbasin mixer

152-1951-02

- Swivel high spout: 240 mm
- Anti-scale aerator
- Aerator size: M24x1



STANDARD+

Junior Evo
Boiler sink mixer

160-0021-00

- For boilers with open system and lower connection
- Swivel high spout: 225 mm
- Flow guide: M24x1



STANDARD+

Evo
Sink mixer

152-0050-00

- Swivel high spout: 200 mm
- Anti-scale aerator
- Aerator size: M24x1
- Pull-out shower with anti-scale system, 2 functions



STANDARD+

Junior Evo
Sink mixer

152-0048-00

- Swivel high spout: 210 mm
- Anti-scale aerator
- Aerator size: M24x1



STANDARD+

Evo X
Sink mixer

152-0082-00

- Swivel high spout: 193 mm
- Anti-scale aerator
- Aerator size: M24x1
- Pull-out shower with anti-scale system, 1 function
- Easy Quick installation



STANDARD+

Evo X
Sink mixer

152-0052-02

- Swivel high spout: 200 mm
- ECO Click water saving system
- Anti-scale aerator
- Aerator size: M22x1



STANDARD+

Evo X
Sink mixer

152-0052-01

- Swivel high spout: 240 mm
- ECO Click water saving system
- Anti-scale aerator
- Aerator size: M22x1



STANDARD+

Junior Evo
Sink mixer

152-0069-00

- Swivel high spout: 240 mm
- Anti-scale aerator
- Aerator size: M22x1



STANDARD+

Evo X
Sink mixer

152-0052-00

- Swivel high spout: 180 mm
- ECO Click water saving system
- Anti-scale aerator
- Aerator size: M22x1



VIDEO





STANDARD+

Junior Evo
High sink mixer

152-0052-03

- Swivel high spout: 225 mm
- Anti-scale aerator
- Aerator size: M24x1



STANDARD+

Junior Evo
Sink mixer

152-0047-00

- Swivel high spout: 200 mm
- Anti-scale aerator
- Aerator size: M24x1
- With a noise reducers



STANDARD+

Junior Evo
Boiler washbasin/sink mixer

161-0031-40

- For boilers with open system and upper connection
- Swivel spout
- Spout: 200 mm
- With individual safety flow guide
- Size of flow guide: M22x1
- 35 mm low ceramic cartridge
- Wall connection: 1/2"



STANDARD+

Junior Evo
Sink mixer

152-0049-00

- Swivel high spout: 225 mm
- Anti-scale aerator
- Aerator size: M24x1



STANDARD+

Junior Evo
Sink mixer

152-0067-00

- Swivel high spout: 190 mm
- Anti-scale aerator
- Aerator size: M19x1



NEW



STANDARD+

Evo X
Sink mixer

25.994.29.00

- Swivel high spout: 200 mm
- Anti-scale aerator
- Aerator size: M22x1
- 90° ceramic headpart



NEW



STANDARD+

Evo X
Sink mixer

25.996.29.00

- Swivel high spout: 200 mm
- Anti-scale aerator
- Aerator size: M22x1
- 90° ceramic headpart



NEW



STANDARD+

Evo X
Sink mixer

25.915.29.00

- Swivel high spout: 180 mm
- Anti-scale aerator
- Aerator size: M22x1
- 90° ceramic headpart



BASIC

Junior
Sink mixer

152-0023-00

- Swivel high spout: 200 mm
- Anti-scale aerator
- Aerator size: M22x1



BASIC

Bridge
Sink mixer

152-1851-00

- Swivel high spout: 225 mm
- Anti-scale aerator
- Aerator size: M24x1



BASIC

Junior
Sink mixer

652-0042-00

- Swivel high spout: 225 mm
- Anti-scale aerator
- Aerator size: M24x1





STANDARD+

Golf
Sink mixer
142-1351-01

- Swivel high spout: 180 mm
- Anti-scale aerator
- Aerator size: M22x1
- 180° ceramic headpart



STANDARD+

Golf
Sink mixer
142-1351-02

- Swivel high spout: 240 mm
- Anti-scale aerator
- Aerator size: M22x1
- 180° ceramic headpart



STANDARD+

Golf
Sink mixer
142-1351-03

- Swivel high spout: 200 mm
- Anti-scale aerator
- Aerator size: M22x1
- 180° ceramic headpart



BASIC

Mambo-5
Sink mixer
652-0072-00

- Swivel high spout: 225 mm
- Anti-scale aerator
- Aerator size: M24x1



BASIC

Mambo-5
Sink mixer
152-0035-00

- Swivel high spout: 200 mm
- Anti-scale aerator
- Aerator size: M24x1



BASIC

Mambo-5
Sink mixer
152-0034-00

- Swivel high spout: 180 mm
- Anti-scale aerator
- Aerator size: M22x1



STANDARD+

Treff
Sink mixer

142-0151-00

- Swivel high spout: 200 mm
- Anti-scale aerator
- Aerator size: M22x1
- 180° ceramic headpart



STANDARD+

Treff
Sink mixer

142-0010-30

- Swivel high spout: 200 mm
- Anti-scale aerator
- Aerator size: M22x1
- 180° ceramic headpart



BASIC

Eurostar
Sink mixer

142-2152-00

- Swivel high spout: 200 mm
- Anti-scale aerator
- Aerator size: M22x1
- Classic headpart



BASIC

Eurostar
Sink mixer

142-0148-00

- Swivel high spout: 200 mm
- Anti-scale aerator
- Aerator size: M22x1
- Classic headpart



BASIC

Eurostar
Boiler sink mixer

160-2004-20

- For boilers with open system and lower connection
- Swivel high spout: 200 mm
- Flow guide: M22x1
- Classic headpart



BASIC

Eurostar
Boiler sink mixer

161-0028-01

- For boilers with open system and upper connection
- Swivel high spout: 200 mm
- Individual safety flow guide: M22x1
- Wall connection: 1/2"
- Classic headpart



Evo 1B 1D

156-0003-00

Evo 1B 1D sink

- Inset
- Made of high quality AISI 304 stainless steel
- Hygienic, heat resistant and extremely durable surface
- The width of the sink cabinet (module) in the middle of the row is min. 45 cm
- Sizes: [W x H] 780 x 435 mm, [W x H x L] 368 x 338 x 150 mm



Junior Evo Sink mixer

- Anti-scale aerator



Siphon kit

- 1 1/2" siphon kit with rubber drain plug



Evo 1B

156-0002-00

Evo 1B sink

- Inset
- Made of high quality AISI 304 stainless steel
- Hygienic, heat resistant and extremely durable surface
- The width of the sink cabinet (module) in the middle of the row is min. 40 cm
- Sizes: [W x H] 465 x 465 mm, [H] 150 mm



Pro Sink mixer

- Spout: 225mm
- Anti-scale aerator



Siphon kit

- 1 1/2" siphon kit with rubber drain plug







MOFÉM Utility

The utility room, laundry room and guest bathroom are being used more and more frequently both in newly built and refurbished homes.

It's important in these rooms, too to install the right fittings - just like in the bathroom and kitchen - to provide all the necessary functionality and comfortable use. MOFÉM's standing and wall valves, with their different sizes and design variations, offer a solution for basins of various si-

zes and designs. Our fittings are made of high quality brass, guaranteeing the quality of the products.



3/8"

Washbasin valve

146-1261-00

- For cold or pre-mixed water
- 180° ceramic headpart
- Aerator size: M22x1



Standing valve

146-0042-00

- Anti-scale aerator
- Aerator size: M22x1
- Classic headpart



Wall-mounted swivel spout

146-0034-00

- Swivel high spout: 130 mm
- Anti-scale aerator
- Aerator size: M22x1
- Classic headpart



Standing swivel spout

146-0033-00

- Swivel high spout: 130 mm
- Anti-scale aerator
- Aerator size: M22x1
- Classic headpart



Outlet valve

- Aerator size: M22x1

1/2" 162-0005-00

3/4" 162-0006-00



Outlet valve

- With tube connection

1/2" 162-0001-00

3/4" 162-0002-00



Outlet valve

- With tube and fast connection possibilities
- With air intaker

1/2" 162-0007-00

3/4" 162-0008-00



Combinat angle valve

163-0015-01

- Washing machine/dishwasher connection – 3/4"
- Washbasin mixer connection – 3/8"
- Wall connection – 1/2"
- With check valve
- With adjustable headpart
- With tube connection



Angle valve

1/2" - 1/2" 163-0002-00

1/2" - 3/8" 163-0006-00



Washing machine valve

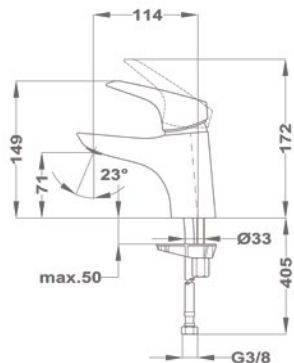
163-0014-00

- Chrome surface
- 1/2" – 3/4"

Flow

Washbasin mixer M

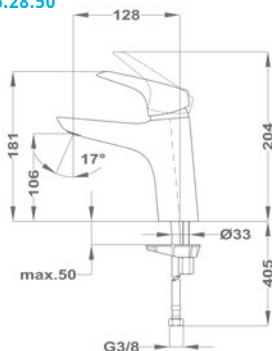
51.346.28.50



Washbasin mixer L

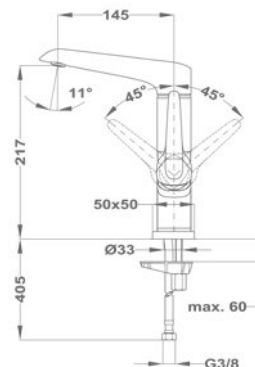
51.382.28.50

51.386.28.50



Washbasin mixer XL

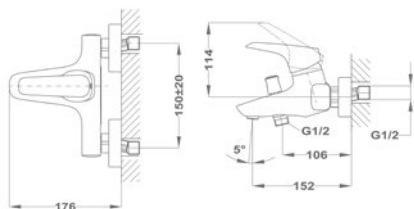
51.356.28.50



Bath/shower mixer

51.122.28.00

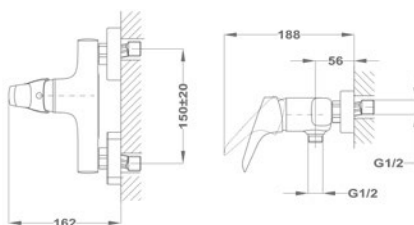
51.121.28.00



Shower mixer

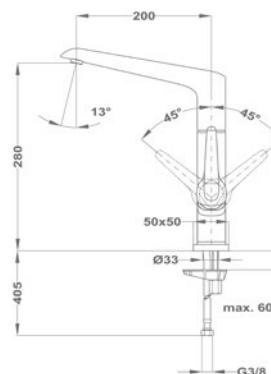
51.232.28.00

51.231.28.00



Sink mixer

51.915.28.00

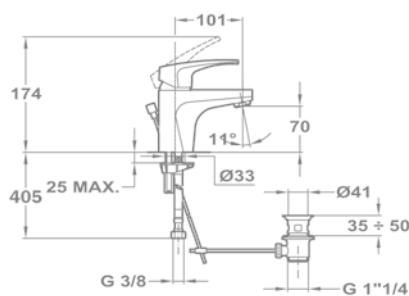


Flame

Washbasin mixer

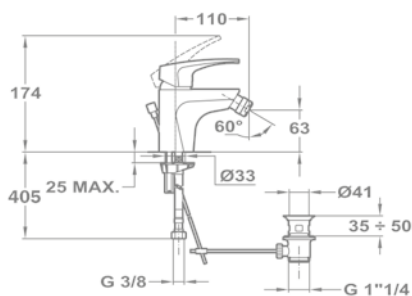
40.342.28.50

40.346.28.50



Bidet mixer

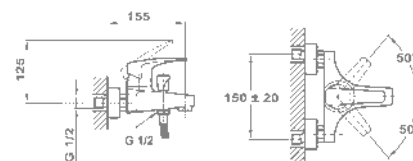
40.622.28.00



Bath/shower mixer

40.122.28.00

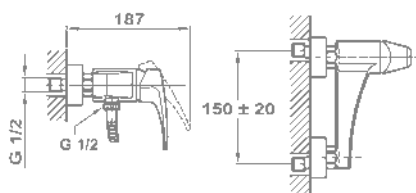
40.121.28.00



Shower mixer

40.232.28.00

40.231.28.00

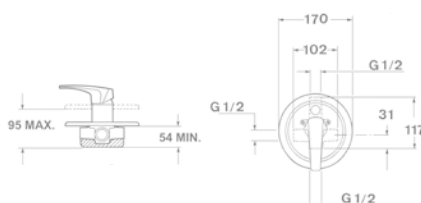


Concealed bath/shower mixer

40.171.28.00

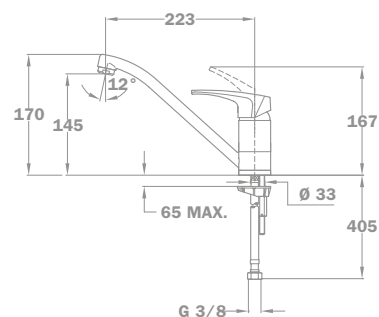
Concealed shower mixer

40.241.28.00



Sink mixer

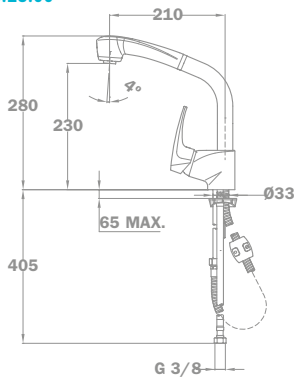
40.913.28.00



Flame

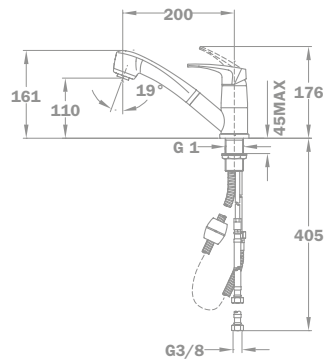
Sink mixer

40.938.28.00



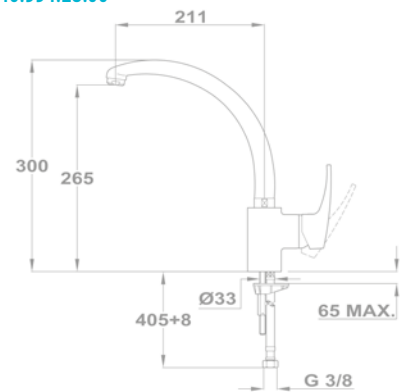
Sink mixer

40.978.28.00



Sink mixer

40.994.28.00

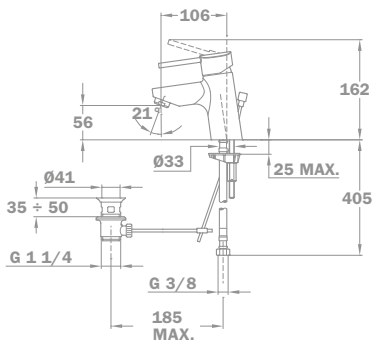


Sky

Washbasin mixer

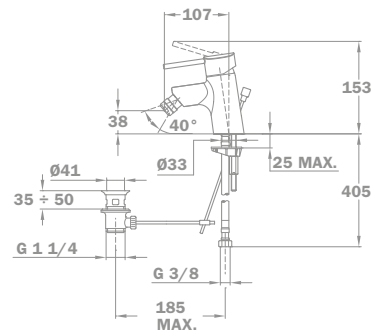
23.342.28.50

23.346.28.50



Bidet mixer

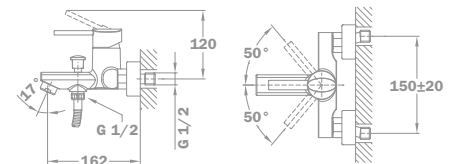
23.622.28.00



Bath/shower mixer

23.122.28.00

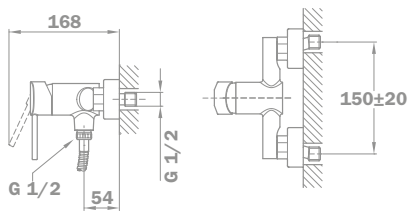
23.121.28.00



Shower mixer

23.232.28.00

23.231.28.00

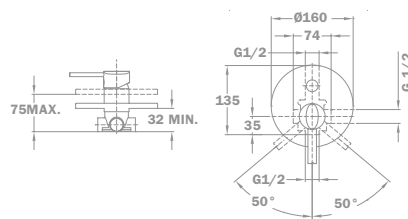


Concealed bath/shower mixer

23.171.28.00

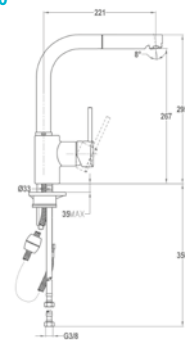
Concealed shower mixer

23.241.28.00



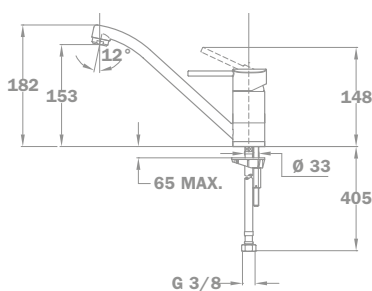
Sink mixer

23.938.28.00



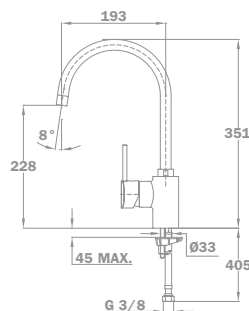
Sink mixer

23.913.28.00



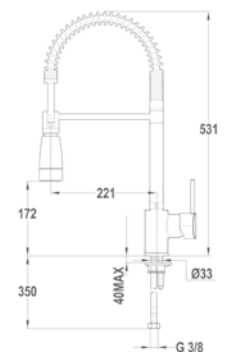
Sink mixer

23.915.28.00



Sink mixer

23.939.28.00

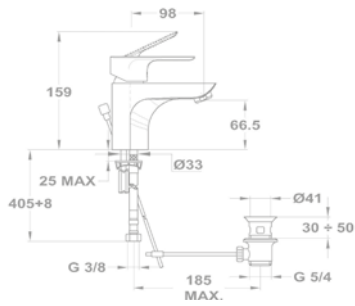


Trend plus

Washbasin mixer

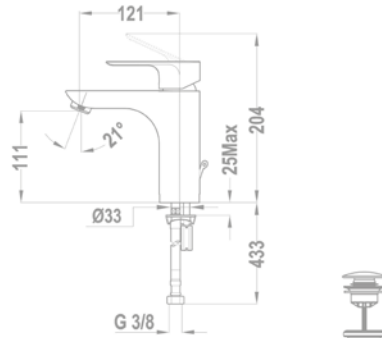
150-1501-00

150-1551-00



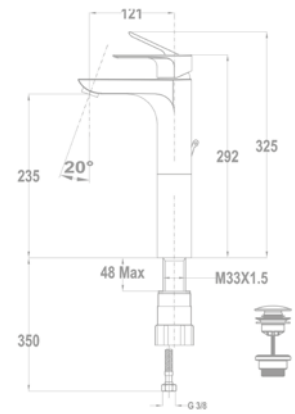
Washbasin mixer L

32.362.28.50



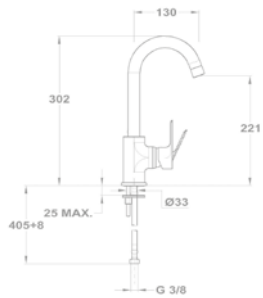
Washbasin mixer XL

32.322.28.50



Washbasin mixer

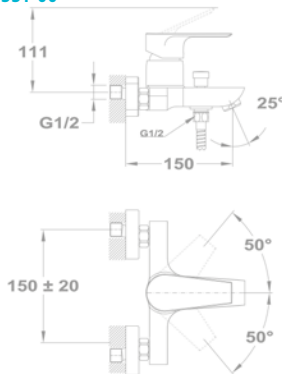
150-1551-04



Bath/shower mixer

151-1501-00

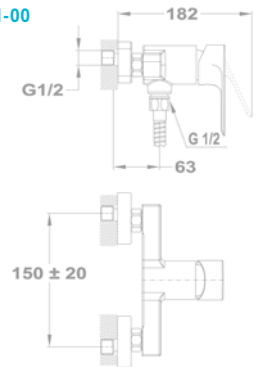
151-1551-00



Shower mixer

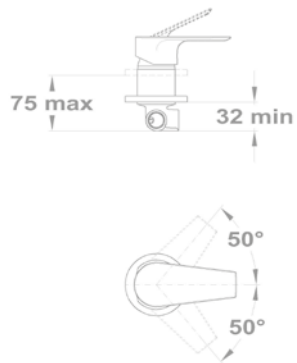
153-1501-00

153-1551-00



Mini concealed shower mixer

153-1551-01

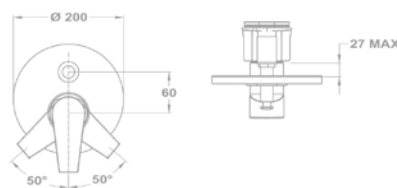


Concealed bath/shower mixer external part

151-1551-10

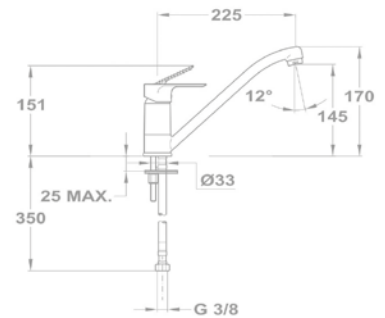
Concealed shower mixer external part

153-1551-10



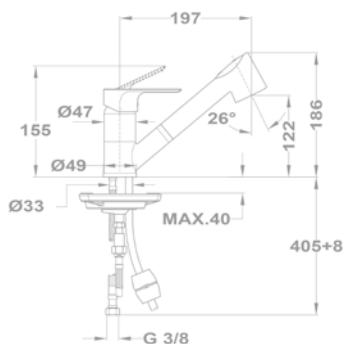
Sink mixer

152-1551-02



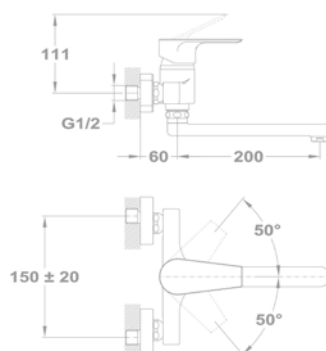
Sink mixer

152-1551-04



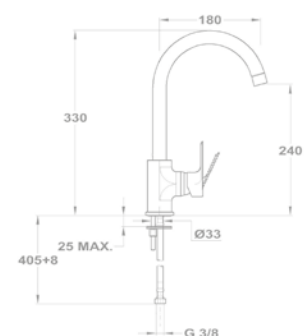
Sink mixer

152-1551-06



Sink mixer

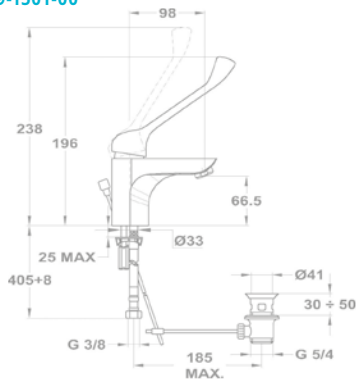
152-1551-07



Trend plus

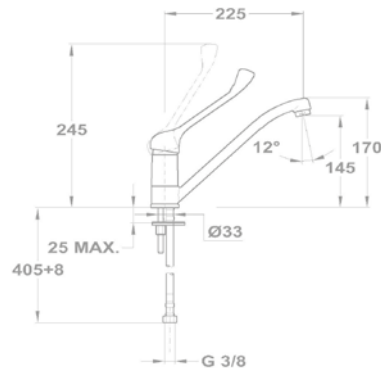
Medical washbasin mixer

159-1501-00



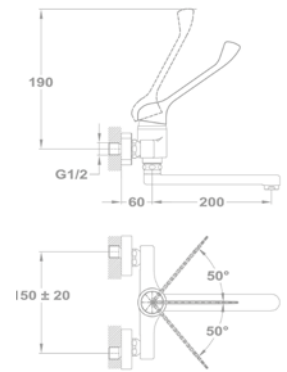
Medical sink mixer

159-1551-02



Medical sink mixer

159-1551-06

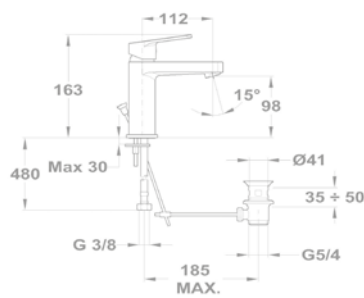


Zenit

Washbasin mixer

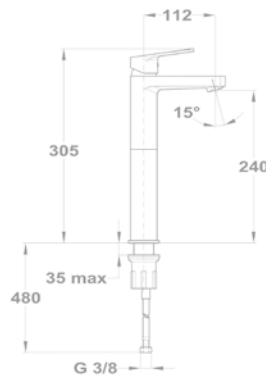
150-1901-00

150-1951-00



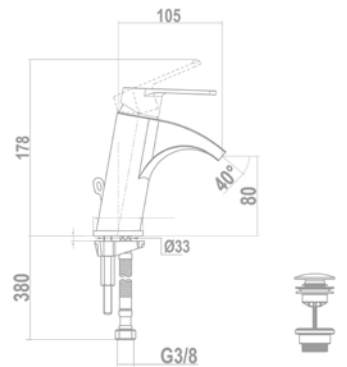
High washbasin mixer

150-1951-01



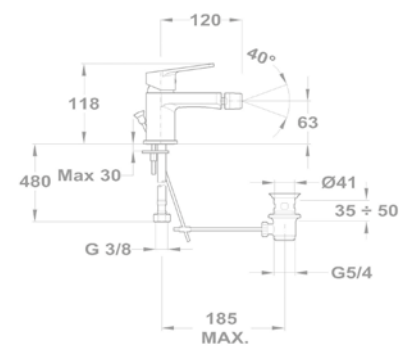
Cascade Washbasin mixers

84.382.28.00



Bidet mixer

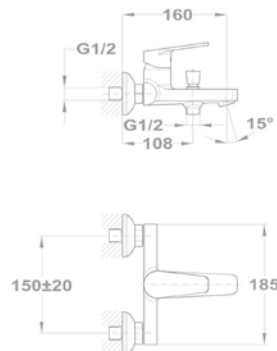
154-1901-00



Bath/shower mixer

151-1901-00

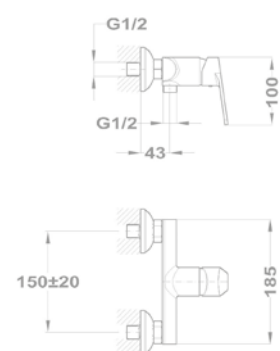
151-1951-00



Shower mixer

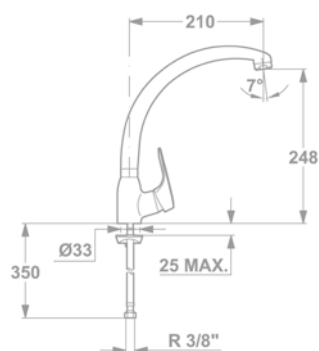
153-1901-00

153-1951-00



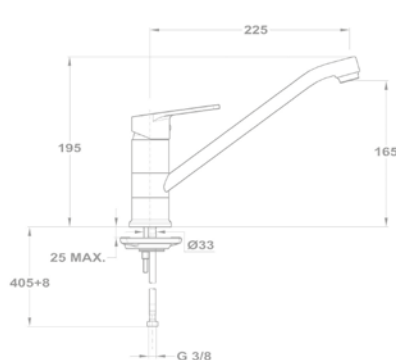
Sink mixer

152-1951-03



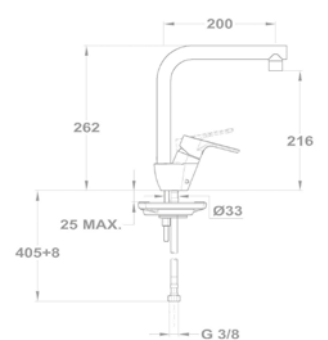
High sink mixer

152-1951-00



Sink mixer

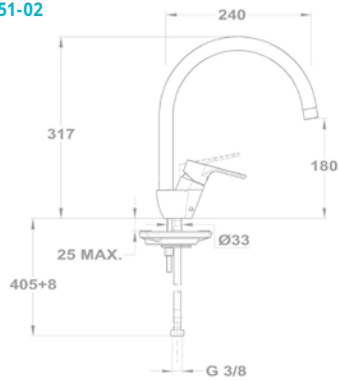
152-1951-01



Zenit

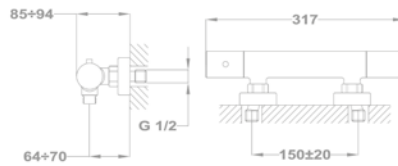
Sink mixer

152-1951-02



Thermostatic shower mixer

84.201.28.00

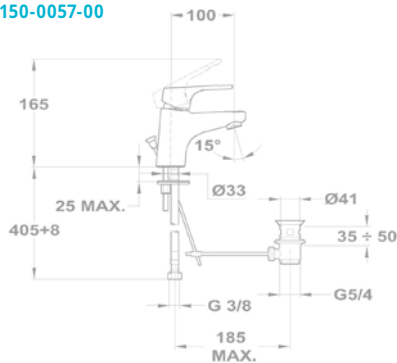


Junior Evo

Washbasin mixer

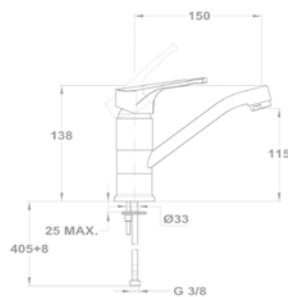
150-0058-00

150-0057-00



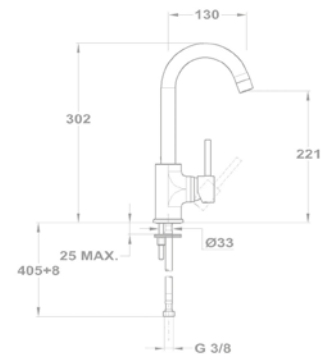
High washbasin mixer

150-0060-00



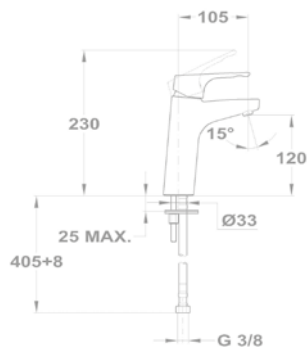
Evo X Washbasin mixer

150-0074-00



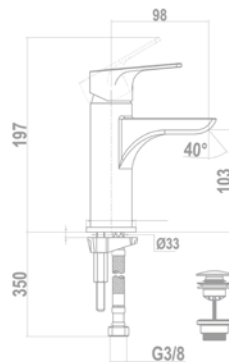
High washbasin mixer

150-0061-00



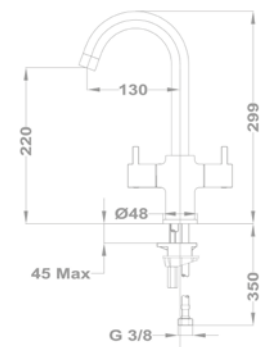
Cascade washbasin mixers

150-0075-00



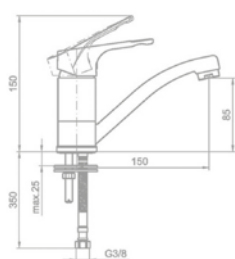
Evo X Washbasin mixer

25.376.29.00



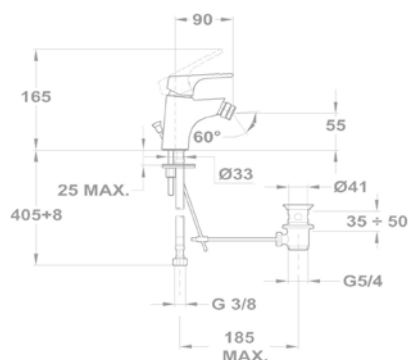
Boiler washbasin mixer

160-0020-00



Bidet mixer

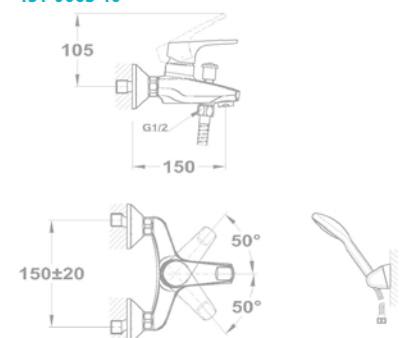
154-0047-00



Bath/shower mixer

151-0063-00

151-0063-10



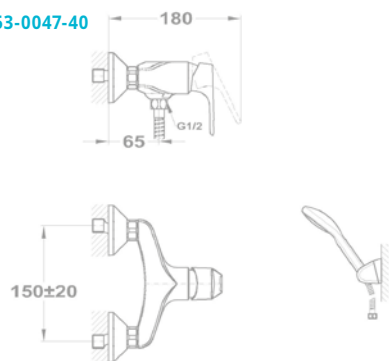
Junior Evo

Shower mixer

153-0047-00

153-0047-10

153-0047-40

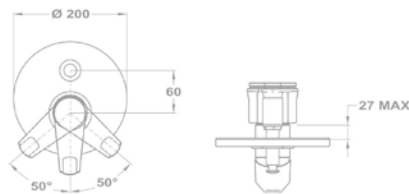


Concealed mixer external part

2 way 151-0066-00

Concealed mixer external part

1 way 153-0065-00

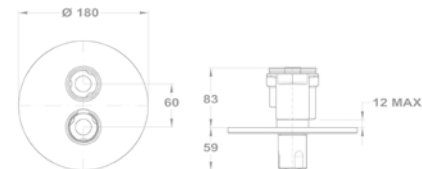


Concealed shower mixer 1 way

170-0006-00

Concealed shower mixer 2 way

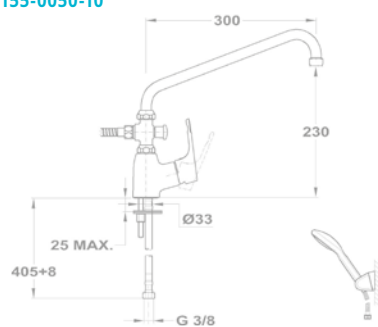
170-0005-00



Bath/washbasin mixer

155-0050-00

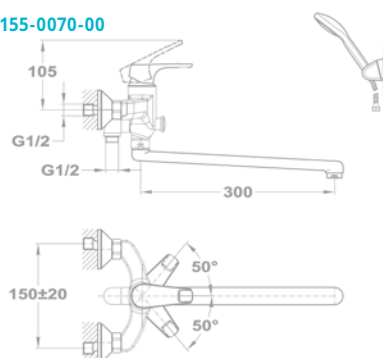
155-0050-10



Bath/washbasin mixer

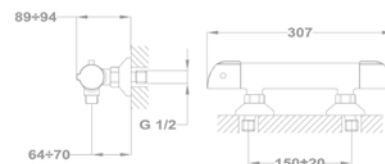
155-0069-00

155-0070-00



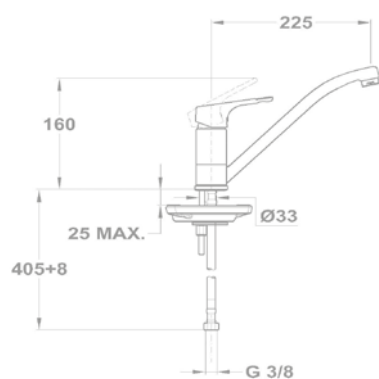
Evo X Thermostatic shower mixer

25.201.28.00



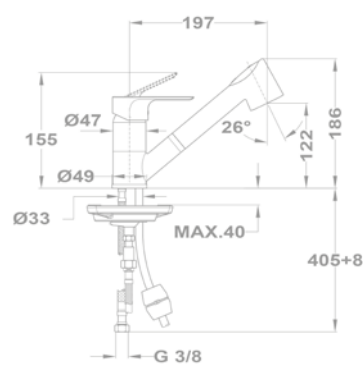
Boiler sink mixer

160-0021-00



Sink mixer

152-0050-00



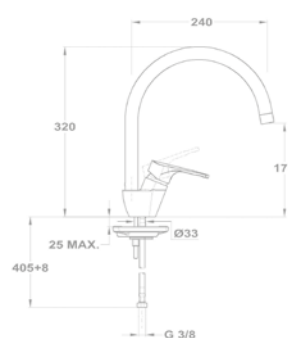
Sink mixer

152-0048-00



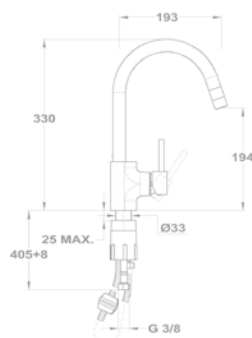
Sink mixer

152-0069-00



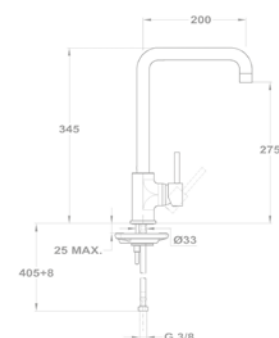
Evo X Sink mixer

152-0082-00



Evo X Sink mixer

152-0052-02

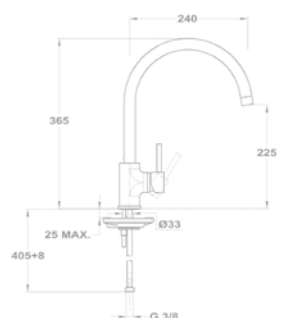


Junior Evo

Evo X

Sink mixer

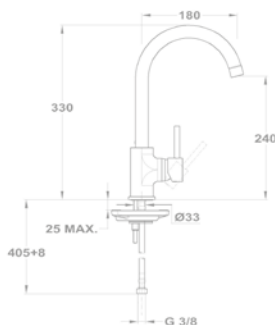
152-0052-01



Evo X

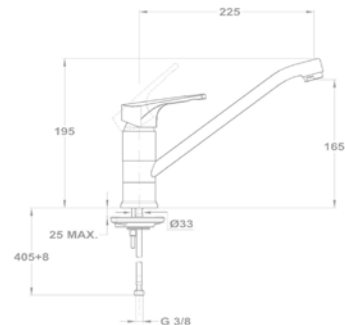
Sink mixer

152-0052-00



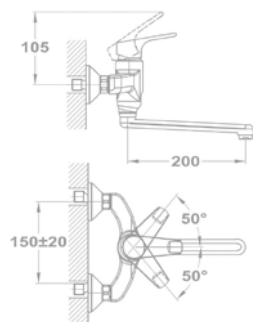
High sink mixer

152-0052-03



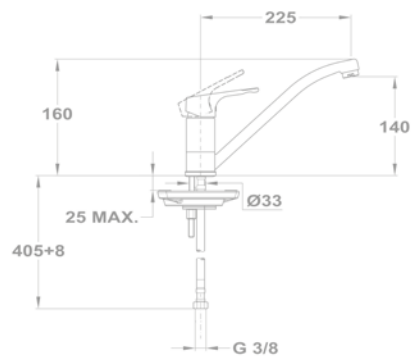
Sink mixer

152-0047-00



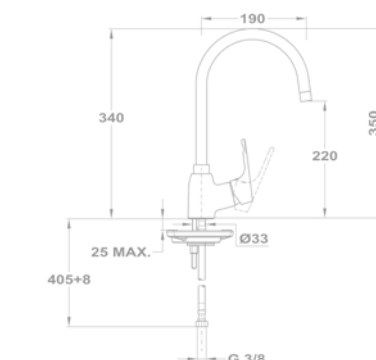
Sink mixer

152-0049-00



Sink mixer

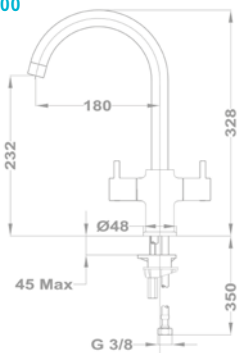
152-0067-00



Evo X

Sink mixer

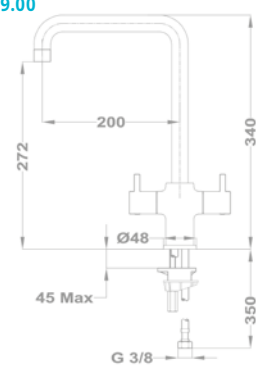
25.915.29.00



Evo X

Sink mixer

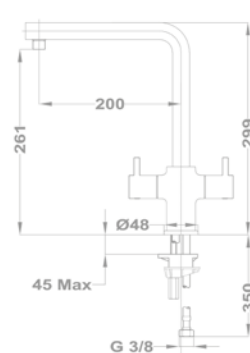
25.994.29.00



Evo X

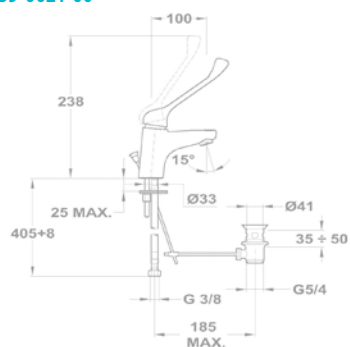
Sink mixer

25.996.29.00



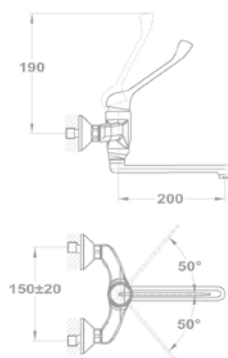
Medical washbasin mixer

159-0021-00



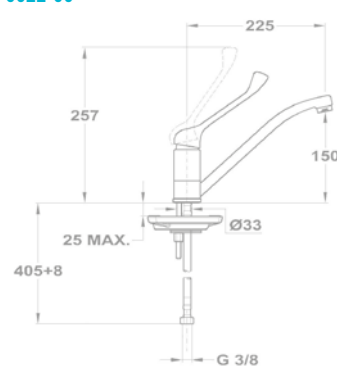
Medical sink mixer

159-0023-00



Medical sink mixer

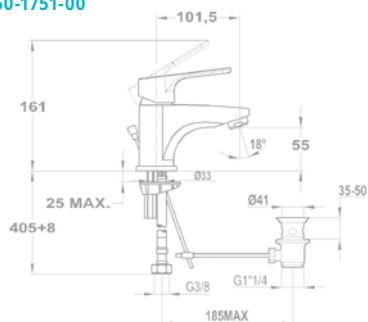
159-0022-00



Pro

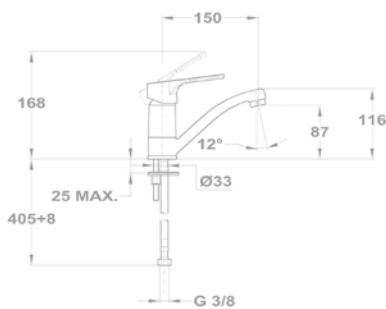
Washbasin mixer

150-1701-00
150-1751-00



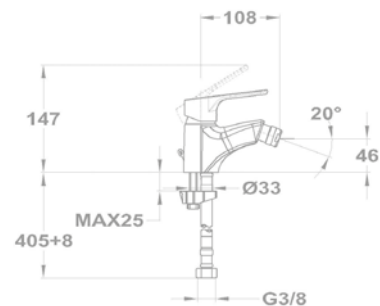
Washbasin mixer

150-1751-02



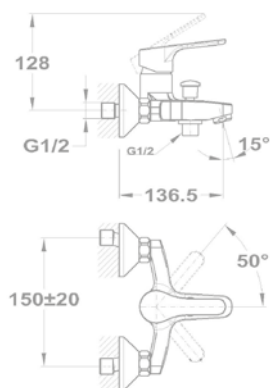
Bidet mixer

154-1701-00



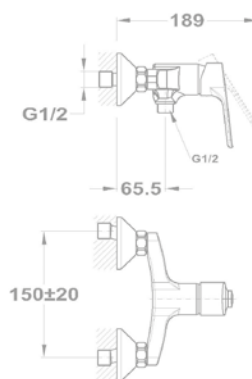
Bath/shower mixer

151-1701-00
151-1751-00



Shower mixer

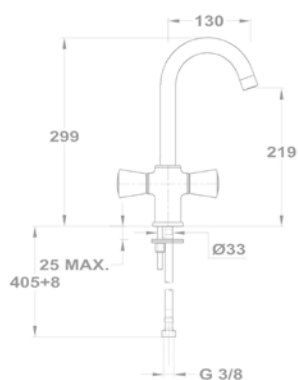
153-1701-00
153-1751-00



Golf

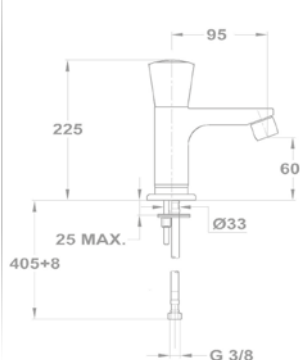
Washbasin mixer

140-1251-06



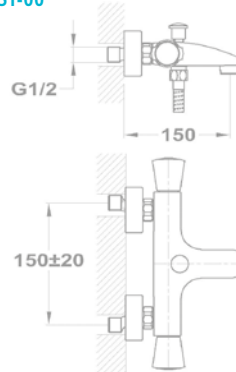
Washbasin valve

146-1261-00



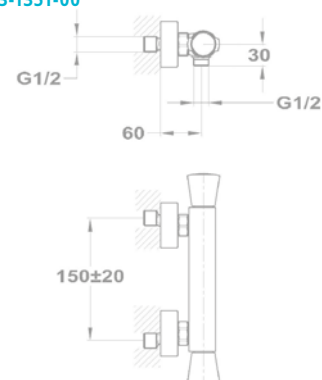
Bath/shower mixer

141-1301-00
141-1351-00



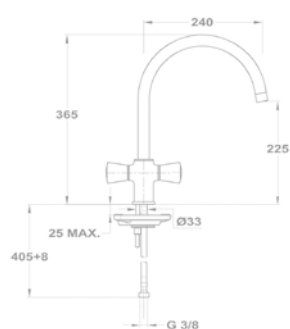
Shower mixer

143-1301-00
143-1351-00



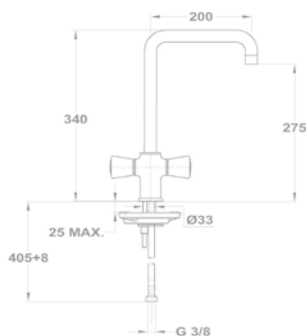
Sink mixer

142-1351-02



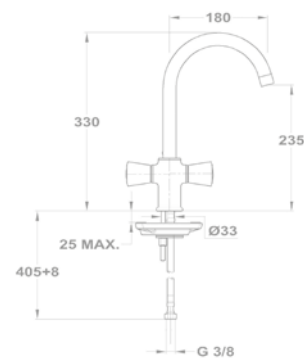
Sink mixer

142-1351-03



Sink mixer

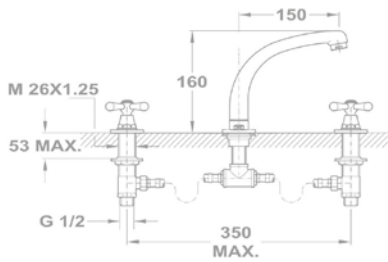
142-1351-01



Treff

Three hole washbasin mixer

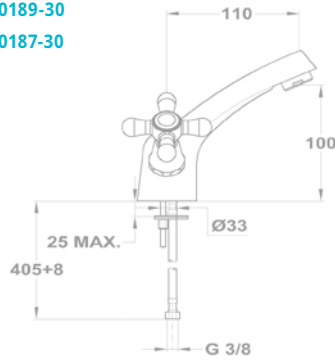
140-0017-00



Washbasin mixer

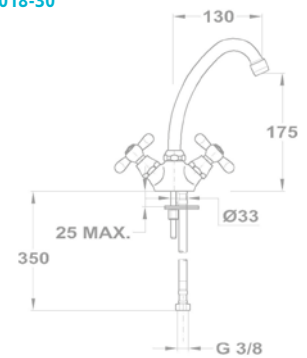
140-0189-30

140-0187-30



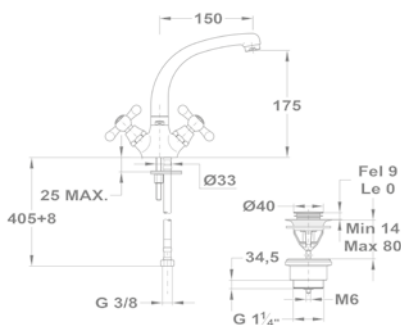
Washbasin mixer

140-0018-30



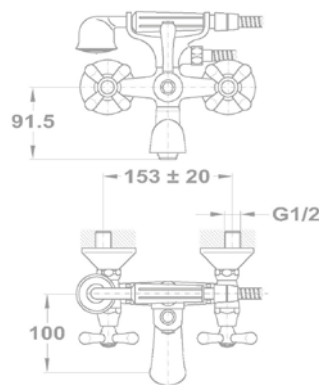
Washbasin mixer

140-0020-30



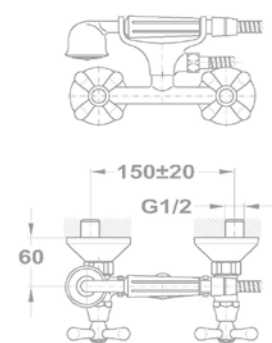
Bath/shower mixer

141-0013-30



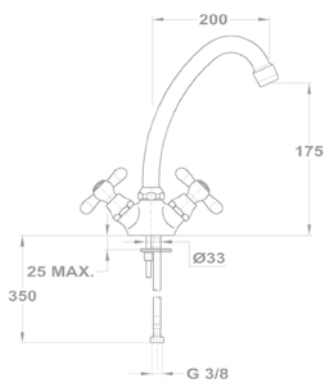
Shower mixer

143-0006-00



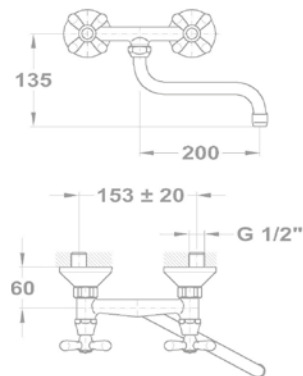
Sink mixer

142-0151-00



Sink mixer

142-0010-30

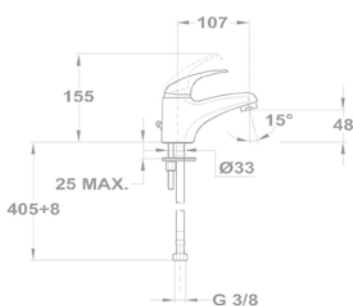


Junior

Washbasin mixer

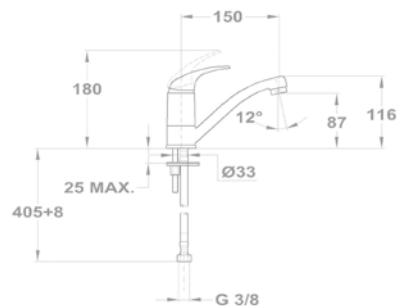
150-0018-00

150-0021-00



Washbasin mixer

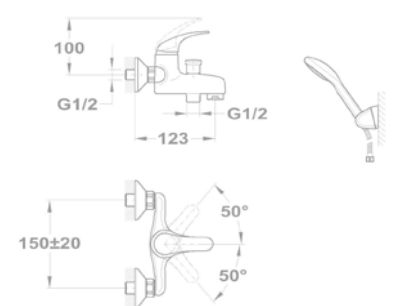
150-0050-00



Bath/shower mixer

151-0012-00

151-0012-02



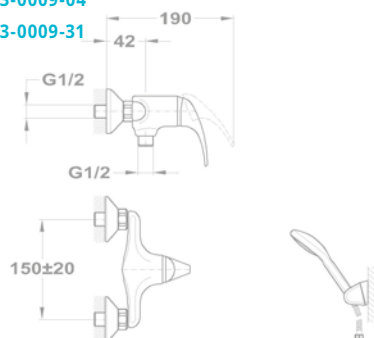
Junior

Shower mixer

153-0009-00

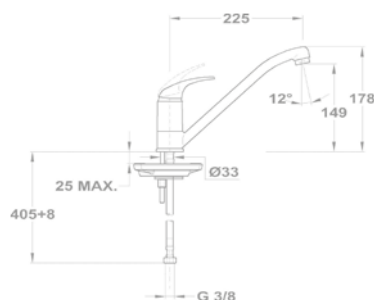
153-0009-04

153-0009-31



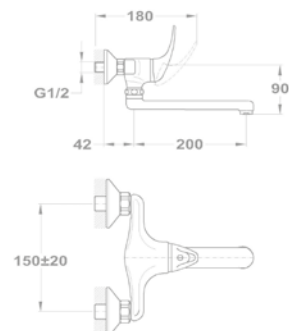
Sink mixer

652-0042-00



Sink mixer

152-0023-00

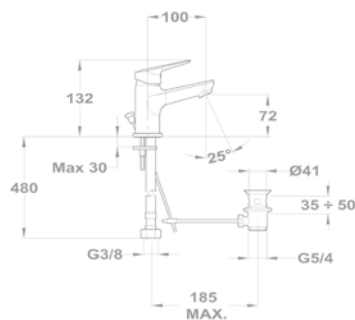


Bridge

Washbasin mixer

150-1801-00

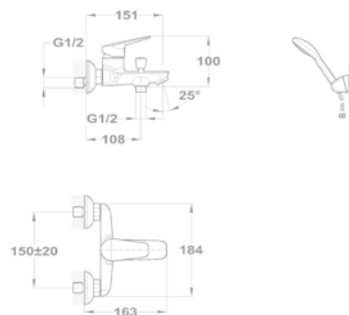
150-1851-00



Bath/shower mixer

151-1801-00

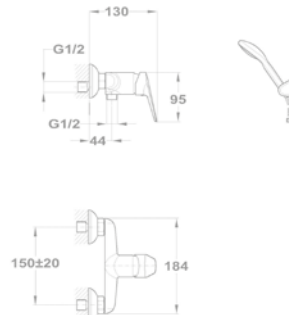
151-1851-00



Shower mixer

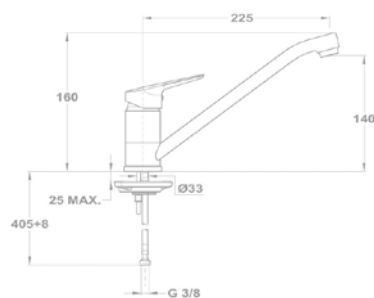
153-1801-00

153-1851-00



Sink mixer

152-1851-00

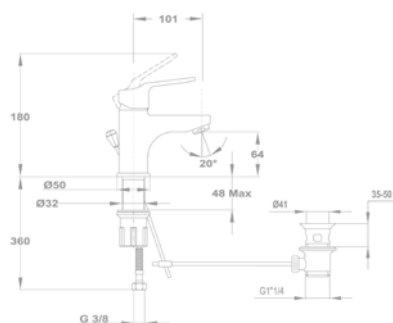


Mambo-5

Washbasin mixer

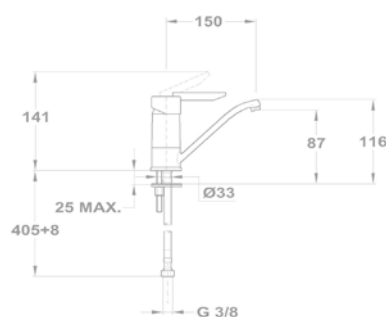
150-0077-00

150-0076-00



Washbasin mixer

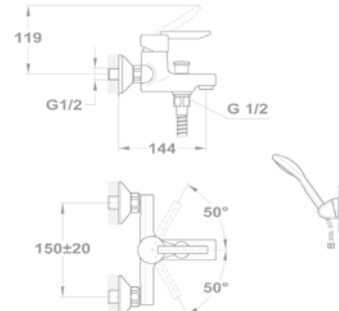
150-0051-00



Bath/shower mixer

151-0021-00

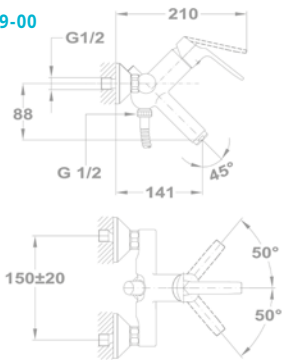
151-0021-03



Mambo-5

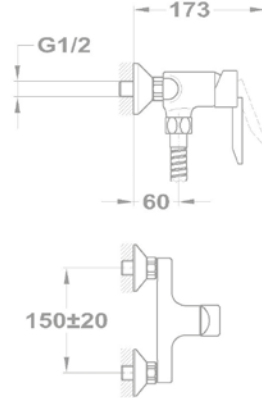
Bath/shower mixer

151-0068-00
151-0069-00



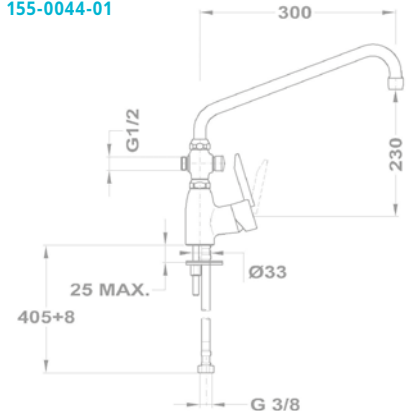
Shower mixer

153-0017-00
153-0017-03
153-0017-30



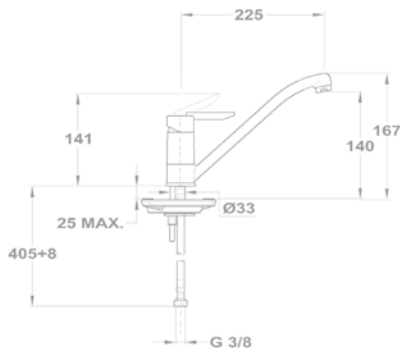
Bath/washbasin mixer

155-0044-00
155-0044-01



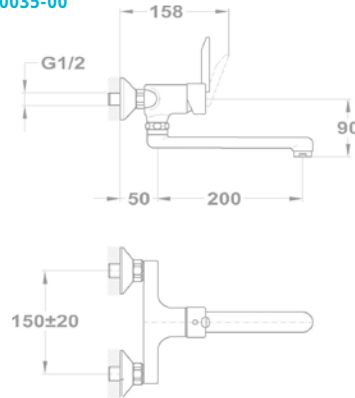
Sink mixer

652-0072-00



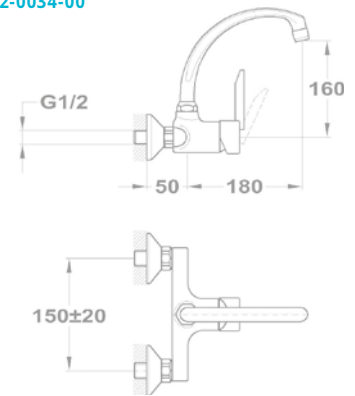
Sink mixer

152-0035-00



Sink mixer

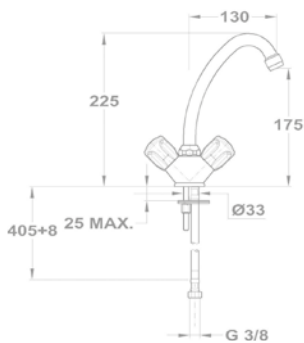
152-0034-00



Eurostar

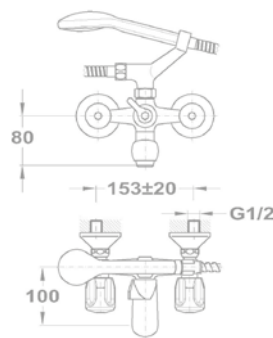
Washbasin mixer

140-2198-00



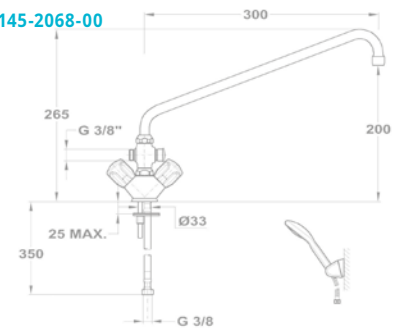
Bath/shower mixer

141-0094-00



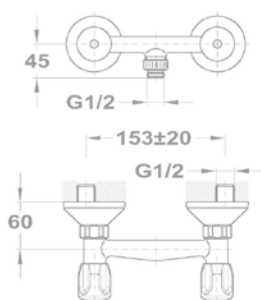
Bath/washbasin mixer

145-2069-00
145-2071-00
145-2068-00



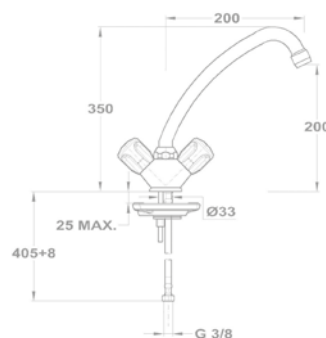
Shower mixer

143-0115-00
143-0111-00
143-0110-00
143-0109-00



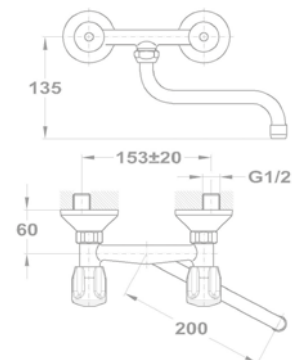
Sink mixer

142-2152-00



Sink mixer

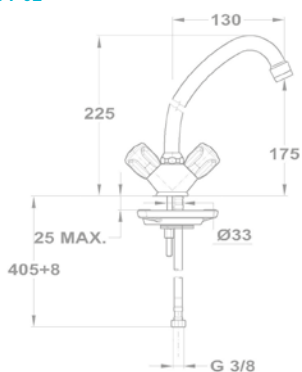
142-0148-00



Eurostar

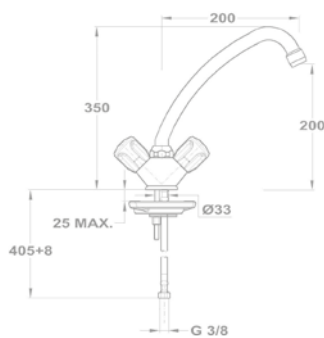
Boiler washbasin mixer

160-2004-02



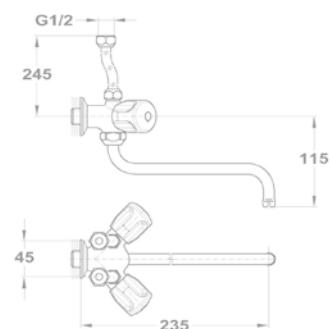
Boiler sink mixer

160-2004-20



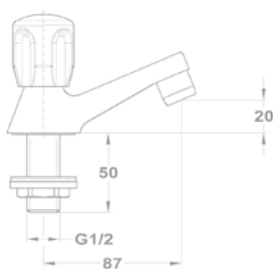
Boiler sink mixer

161-0028-01



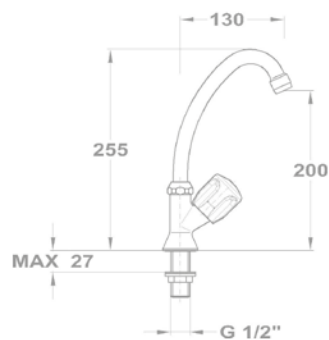
Standing valve

146-0042-00



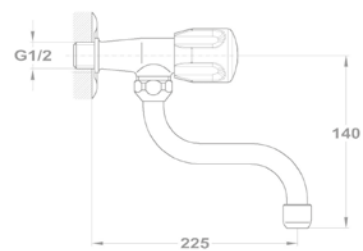
Standing swivel spout

146-0033-00



Wall-mounted swivel spout

146-0034-00

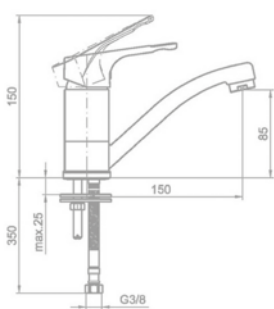


Boiler mixers

Junior Evo

Boiler washbasin mixer

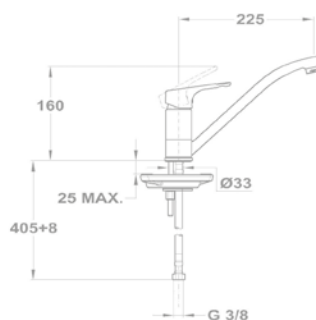
160-0020-00



Junior Evo

Boiler sink mixer

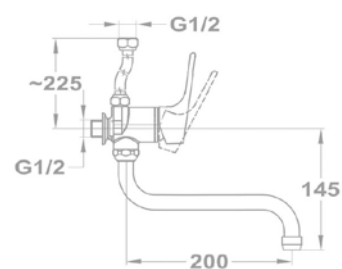
160-0021-00



Junior Evo

Boiler washbasin/sink mixer

161-0031-40



Eurostar

Boiler washbasin mixer

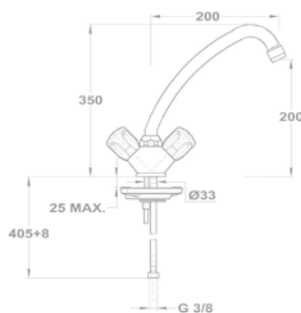
160-2004-02



Eurostar

Boiler sink mixer

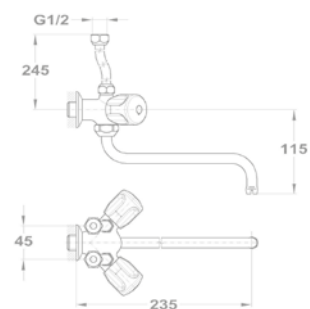
160-2004-20



Eurostar

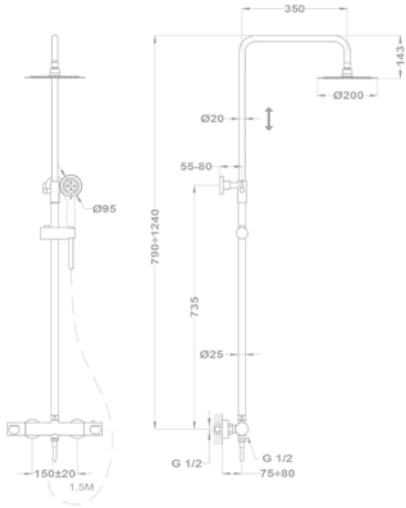
Boiler sink mixer

161-0028-01



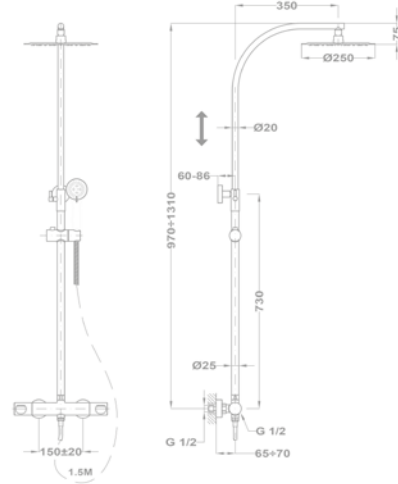
Zenit

Thermostatic shower system
170-1901-00



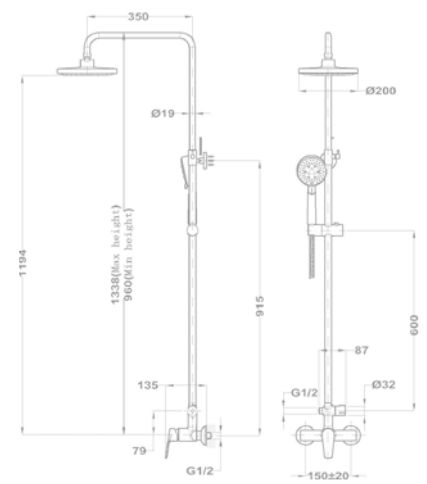
Zenit

Dual Control shower system
153-1901-03



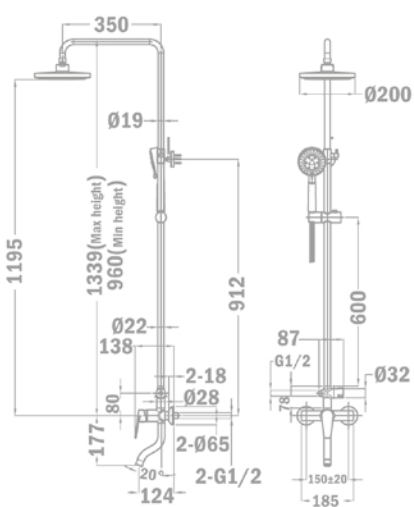
Zenit

Shower system
153-1901-01



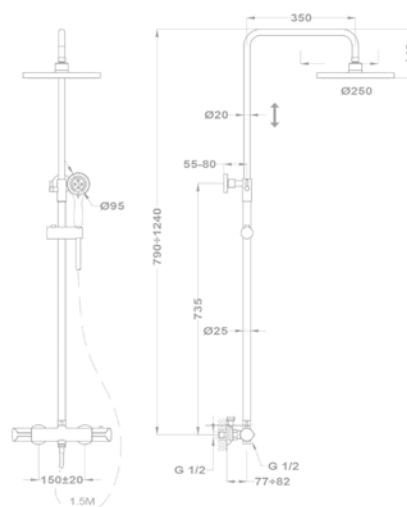
Zenit

Shower system with spout
153-1901-02



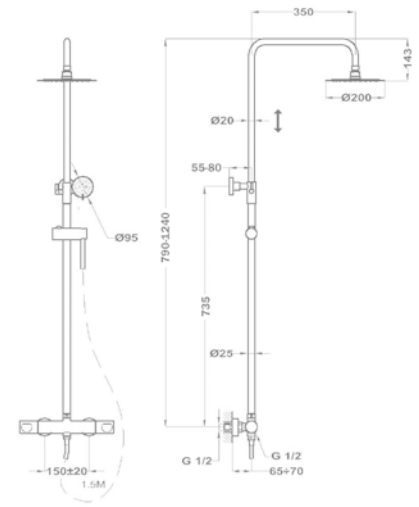
Evo X

Thermostatic shower system
170-0009-00

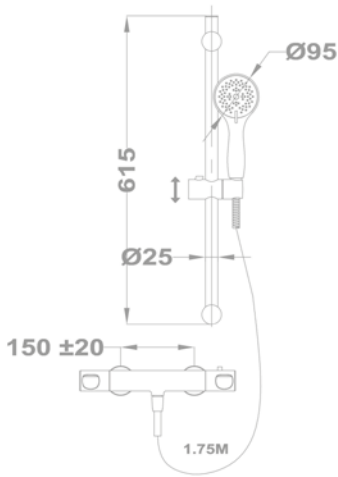


Evo X

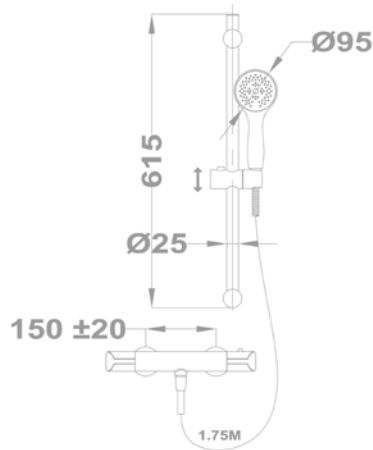
Dual Control shower system
153-0049-00



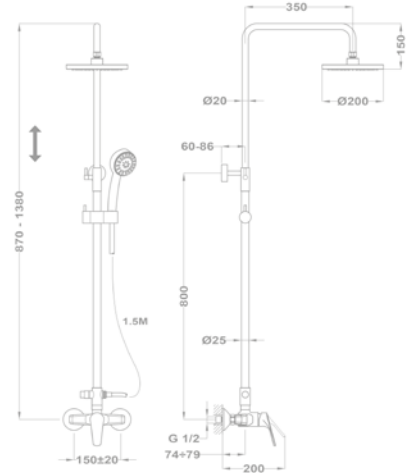
Zenit
Thermostatic set
84.202.28.00



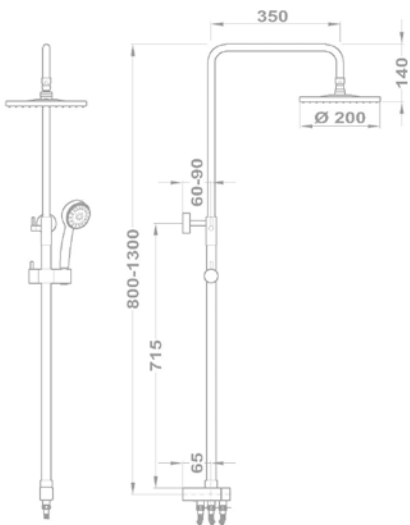
Evo X
Thermostatic set
25.202.28.00



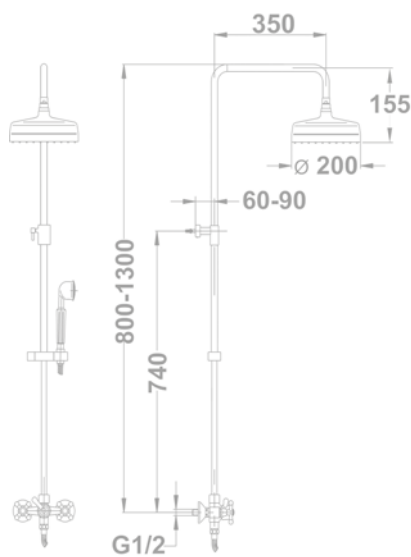
Junior Evo
Shower system
153-0048-00



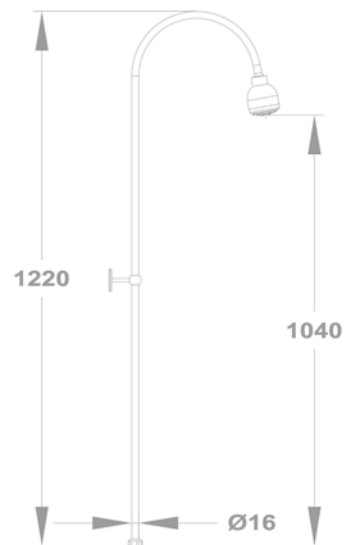
Junior Evo
Universal shower system
275-0059-07

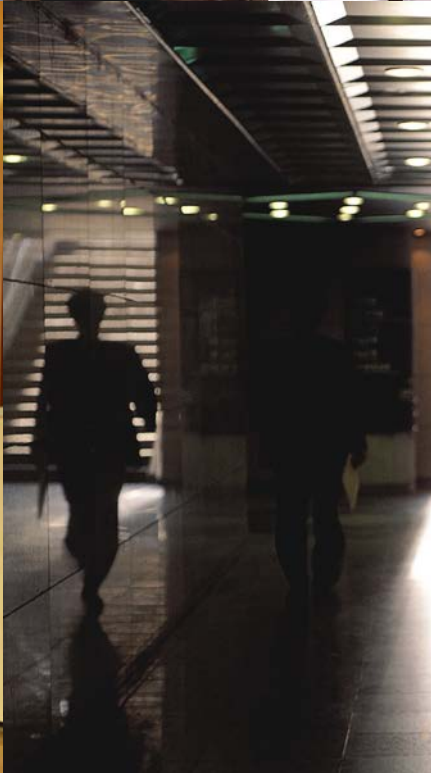


Treff
Shower system
143-0007-00



Basic
Shower system
279-0076-08







MOFÉM Professional

M-Tronic
page 121

Linear
page 126

MULTI-BOX®
page 130

Automatic self-closing valves
page 134

Medical mixers
page 136

Additional fittings
page 138

Spare parts program
page 149

Water, gas and heating fittings
page 161



M-TRONIC

Health is the top priority



A **higher** level of hygiene **TOUCHLESS TECHNOLOGY**

The mixer is operated without contact, thus reducing the risk of infection. Touchless technology prevents bacteria from accumulating on the hands. Safe to use every day.



The **environmentally** conscious thinking **WATER SAVING**

The M-TRONIC range's water saving system can save up to 50% of water consumption.



- ECO aerators with special flow regulator elements
- Thanks to its sensor, water only flows out of the mixer as long as it's needed. As soon as it detects there's no movement, it immediately shuts off. It's no longer a nightmare that the kids forget to turn off the water.
- Automatic water STOP 5 minutes - the mixer doesn't stay open and doesn't drip after use.



Maximum **comfort** **EASY TO USE, EASY TO CLEAN**

Thanks to the built-in ON/OFF mode, maintaining and keeping the mixer clean has never been easier.

With the remote control you can customise and change the set parameters as you wish. Adapt the mixer to your own needs.

Join the **MOFÉM electric mixer distributor program.**





NEW

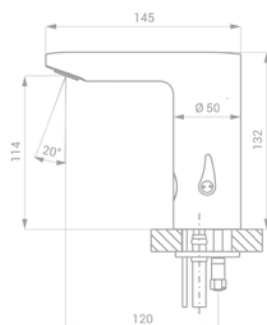


Electronic washbasin mixer MLU 54

- With cold or pre-mixed water connection and integrated temperature control
- With dirt filters
- With check valve
- Vandal proof design
- Operating pressure 0,1-0,6 MPa
- Anti-scale aerator (5 l/min)
- Aerator size: M24x1
- Electromagnetic valve integrated in the body
- Automatic water stop after 5 minutes of continuous use
- Low battery indication for battery operated models
- In the event of a power failure, the magnetic valve closes automatically
- Flexible inlet pipe 3/8"
- Parameters that can be set with the remote control

Power supply:

- 6V magnetic valve, 4 pcs of 1,5V alkaline battery
[75.309.28.00](#)
- 6V magnetic valve, 230V/50Hz network unit
[75.309.28.F0](#)
- 24V magnetic valve (power supply not included)
[75.309.28.G0](#)

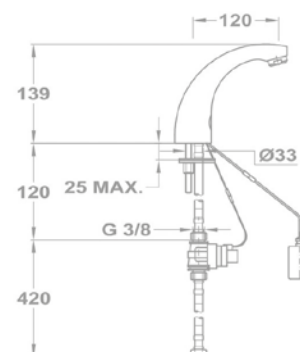


Electronic washbasin mixer MLU 01

- With cold or pre-mixed water connection
- With dirt filters
- With check valve
- Vandal proof design
- Operating pressure 0,1-0,6 MPa
- Anti-scale aerator (7,5-9 l/min)
- Aerator size: M24x1
- With external magnetic box that can be built under the counter
- Automatic water stop after 5 minutes of continuous use
- Low battery indication for battery operated models
- In the event of a power failure, the magnetic valve closes automatically
- Flexible inlet pipe 3/8"
- Parameters that can be set with the remote control

Power supply:

- 6V magnetic valve, 4 pcs of 1,5V alkaline battery
[75.308.28.00](#)
- 6V magnetic valve, 230V/50Hz network unit
[75.308.28.F0](#)
- 24V magnetic valve (power supply not included)
[75.308.28.G0](#)



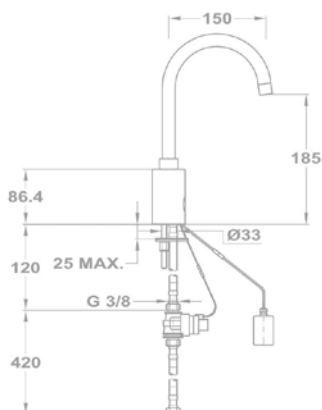


Electronic washbasin mixer MLU 08

- With cold or pre-mixed water connection
- Power supply: 6V external battery compartment (4x1,5V AA)
- With dirt filters
- With check valve
- Vandal proof design
- Operating pressure 0,1-0,6 MPa
- Swivel spout
- Spout: 150 mm
- Anti-scale aerator (7,5-9 l/min)
- Aerator size: M19x1
- With external magnetic box that can be built under the counter
- Automatic water stop after 5 minutes of continuous use
- Low battery indication for battery operated models
- In the event of a power failure, the magnetic valve closes automatically
- Flexible inlet pipe 3/8"
- Parameters that can be set with the remote control

Power supply:

- 6V magnetic valve,
4 pcs of 1,5V alkaline battery
[180-7501-03](#)
- 6V magnetic valve, 230V/50Hz network unit
[180-7511-03](#)
- 24V magnetic valve
(power supply not included)
[180-7521-03](#)

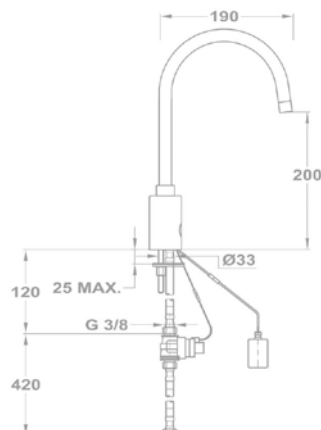


Electronic washbasin mixer MLU 10

- With cold or pre-mixed water connection
- Power supply: 6V external battery compartment (4x1,5V AA)
- With dirt filters
- With check valve
- Vandal proof design
- Operating pressure 0,1-0,6 MPa
- Swivel spout
- Spout: 180 mm
- Anti-scale aerator
- Aerator size: M20x1
- With external magnetic box that can be built under the counter
- Automatic water stop after 5 minutes of continuous use
- Low battery indication for battery operated models
- In the event of a power failure, the magnetic valve closes automatically
- Flexible inlet pipe 3/8"
- Parameters that can be set with the remote control

Power supply:

- 6V magnetic valve,
4 pcs of 1,5V alkaline battery
[182-7501-03](#)
- 6V magnetic valve, 230V/50Hz network unit
[182-7511-03](#)
- 24V magnetic valve
(power supply not included)
[182-7521-03](#)



Electric concealed pissoire flush MLP

- With dirt filters
- Vandal proof design
- Inergrated electromagnetic valve
- Starts flushing after leaving active range: 2 s
- Flushing time adjustable with remote control: 0,5-15 s
- Volume flow control with the ball valve built into the connector
- Detection range: 0,3-0,7 m
- Flow rate: 12 l/min
- On/Off connection 3/4" external
- Automatic flushing 24 hours after non-use
- The flushing sensor indicates the low battery power level
- In the event of a power failure, the magnetic valve closes automatically
- Plastic mounting box - 140x140x75 mm
- Chrome-plated stainless steel cover sheet - 170x170x10 mm
- Pissoire connection: stainless steel pipe ø20x250 mm
- Parameters that can be set with the remote control

Power supply:

MLP 06k 6V magnetic valve

[184-7501-10](#)

- 4 pcs of 1,5V alkaline battery

MLP 02KZ 6V magnetic valve

[184-7511-10](#)

- 230V/50Hz network unit



**Electronic pissoire flush valve
MLP09**

184-7501-00

- With dirt filters
- Vandal proof design
- Inergrated electromagnetic valve
- Starts flushing after leaving active range: 2 s
- Flushing time adjustable with remote control: 0,5-15 s
- Volume flow control with the ball valve built into the connector
- Automatic flushing 24 hours after non-use
- The flushing sensor indicates the low battery power level
- In the event of a power failure, the magnetic valve closes automatically
- Wall connection: 1/2" external thread
- Pissoire connection: stainless steel pipe ø20x250 mm
- Parameters that can be set with the remote control



M-tronic power supply

- For M-tronic electronic mixers

MLZ01Y 24V power supply

169-0017-00

- For up to 5 mixers (MLU01, MLU08, MLU10)
- For up to 10 mixers(MLU 54, MLU63)

MLZ01Z 24V power supply

169-0018-00

- For up to 9 mixers (MLU01, MLU08, MLU10)
- For up to 20 mixers (MLU54, MLU63)



Remote control for electronic mixers MLD 03

169-0015-00

- Setting the detection range: 0,3-0,7 m
- Setting the delay time
- On/Off switching (cleaning, maintenance)
- Adjustment data sheet: www.mofem.hu
- For the electronic mixers MLU 01, MLU 08, MLU 10, MLU 54 and MLU 63



M-tronic adapter MLZ08

169-0020-00

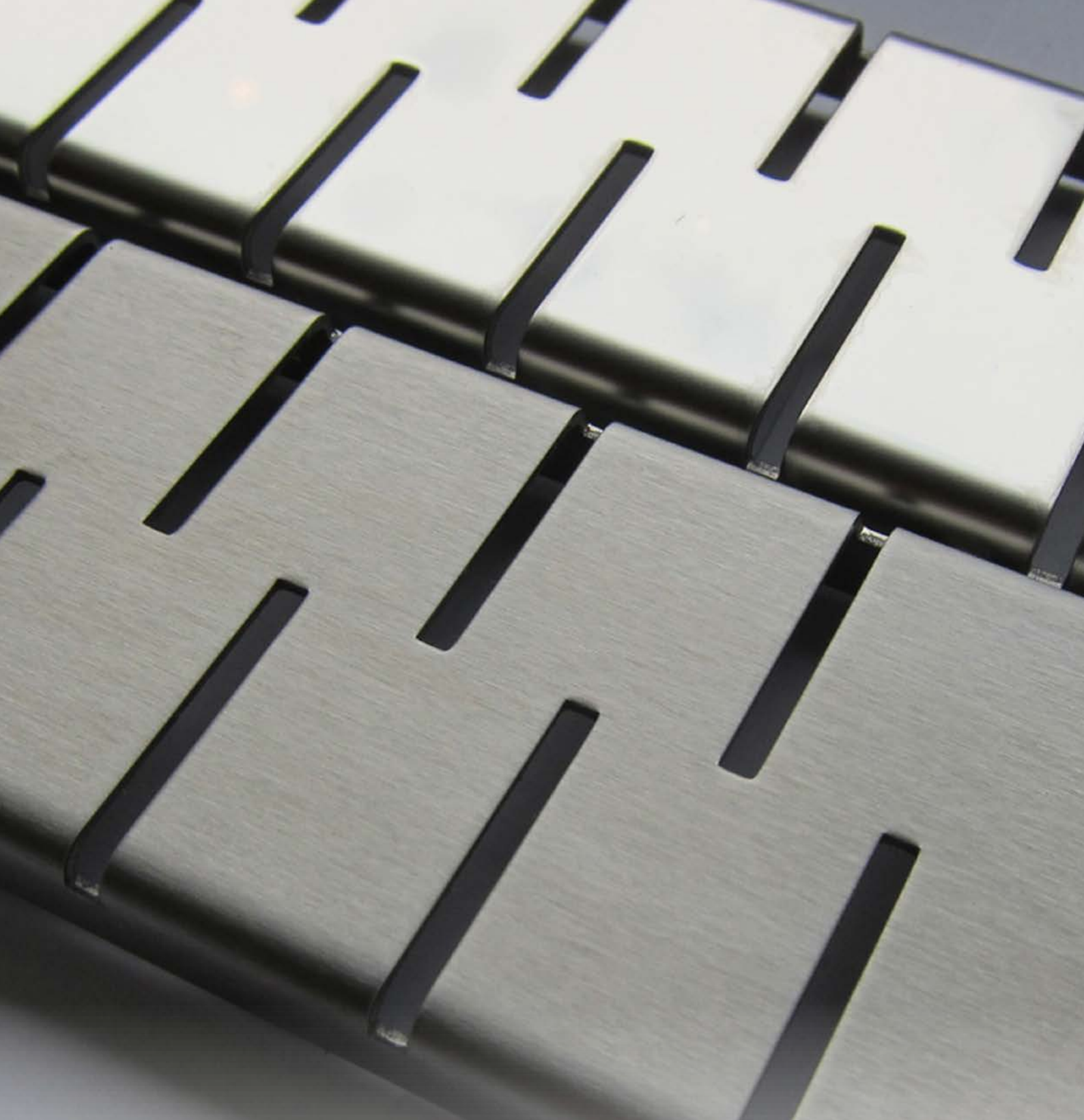
- 230/12V adapter
- For M-tronic electronic mixers



M-tronic Y connection set

169-0014-00

- For setting the local water temperature for the electronic mixer MLU 01, MLU 08 and MLU 10
- Allows the mixers to be connected to a hot and cold water supply



Linear

Featured functions

38
liter/min

High flow rate

In accordance with the EN 1253-2 standard, MOFÉM Linear shower channels let 38 l/min of water to pass through the system.

65
mm

Space-saving construction

Due to its low construction height, it is not necessary to create high / deep flooring in your home. (min. 65 mm)

5
YEARS
GUARANTEE

5 years guarantee

We offer a 5-year guarantee and a 10-year parts supply for MOFÉM mixers.



Installation
video

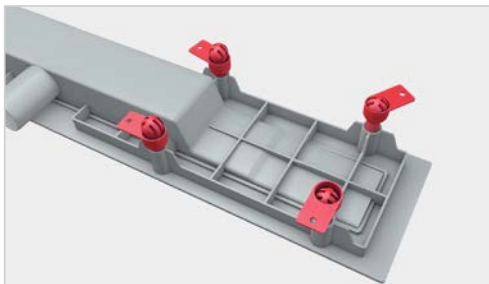


Linear floor drain

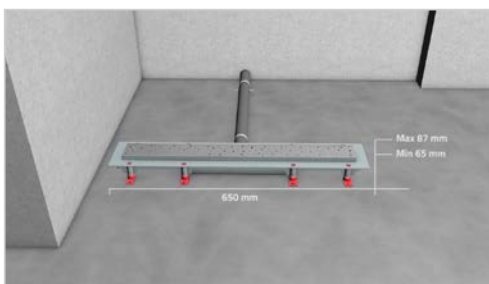
- **Aesthetic**, Floor-even solution
- **Wide range of designs and sizes**
- With its use, **there is no need to install shower trays**
- **Space-saving construction**, 65 mm minimum subgrade concrete thickness
- **Installer-friendly** solution thanks to the threaded adjustable legs (8 pcs)
- **Safe and can be built perfectly** in line with the floor level
- **Easy to clean**
- Heavy duty (300 kg) polished stainless steel grid **1,5 mm thick**
- Polypropylene drain housing that includes the combined siphon, drain hose, retaining lugs, retaining dowel, screw and insulating collar
- **Flowrate** of 38 l/min according to the **EN1253-2 standard**
- The check discs (2 pcs) ensure odour control.
- Soaking protection thanks to the vapor barrier collar and the self-adhesive vapor barrier tape
- 3+1 grid types:
Drops + Medium + Klasik/Floor (the patternless grid can be reveted reversed with ceramic tiles)



Mechanic-friendly solutions



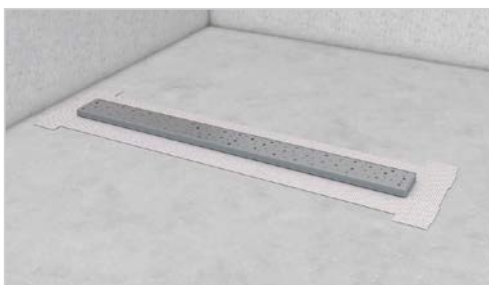
- **Independently adjustable legs** that fit perfectly to any wall surface and stably secure the system in the right plane, preventing malfunctions caused by subsequent mounting problems.



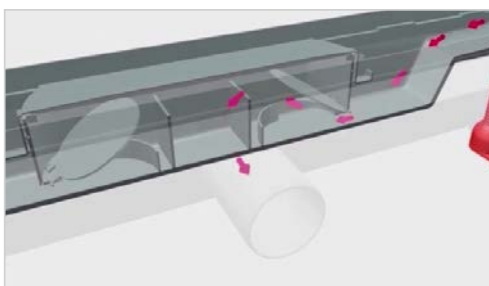
- **Space-saving construction:**
Due to the low construction height, you don't have to build such a high/deep floor in your home
- **Adjustable installation height:**
minimum 65 mm, maximum 87 mm



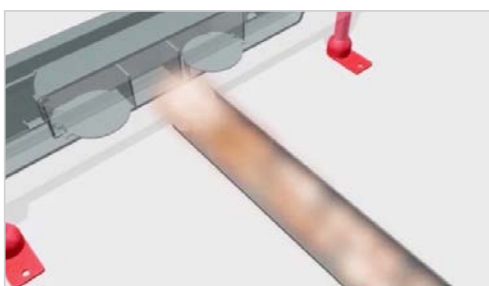
- After installation, **the plane of the front surface** can be fine-adjusted with the screw of the independent adjustable legs (8 pcs.). For proper water flow, we recommend a 2% drop in the direction of the drain when paving.












- The vapour barrier collar and self-adhesive vapour **barrier tape prevent water and vapour from entering the substrate** structure, thus avoiding soaking under the tile.

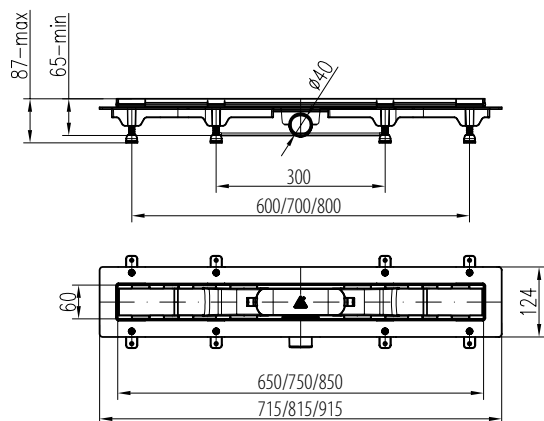


- The combined siphon **guarantees odor control**, both for water-filled and dry siphons. The system also includes a deodorising chamber, a lid with a sealing ring and 2 check valves.



Floor drain:

Floor drain		Code
	MLP-650 KF floor drain	501-0002-00
	MLP-650 M floor drain	501-0002-01
	MLP-650 D floor drain	501-0002-02
	MLP-750 KF floor drain	501-0003-00
	MLP-750 M floor drain	501-0003-01
	MLP-750 D floor drain	501-0003-02
	MLP-850 KF floor drain	501-0004-00
	MLP-850 M floor drain	501-0004-01
	MLP-850 D floor drain	501-0004-02



Medium (M)



Drops (D)



Klasik/Floor (KF)





MULTI-BOX®

Featured functions



Mechanic-friendly design

Thanks to the independent adjustable legs, the box can be easily fitted, to even or uneven surfaces. After fastening, the plane of the front surface of the **MULTI-BOX®** can be fine-tuned with the 4 adjusting screws.



Noise reducers and water shock proof parts

Noise reduction parts built into the wall-mounted ceramic units significantly reduce the noise level of the water flow.



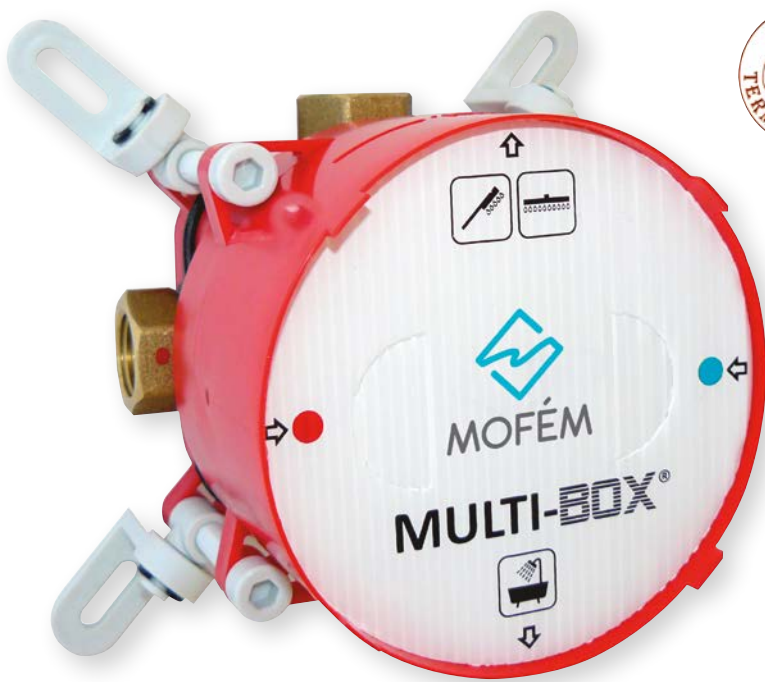
Wide range of installation sizes

It is easy to install, thanks to the adjustable tabs and the 27 mm installation range on the box.



Hungarian Quality Product Award®

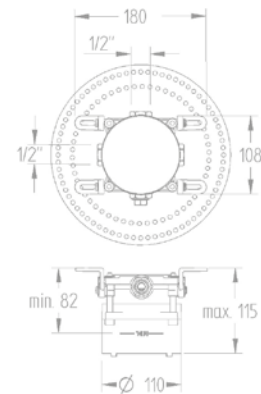
The universal unit under the wall of MOFÉM **MULTI-BOX®**, submitted for the 2014 Hungarian Product Grand Prix® competition, won the Hungarian Product Grand Prix® award. The Hungarian Product Grand Prix® trademark embodies and expresses Hungary's recognition and commitment to certified quality.



MULTI-BOX® sub-wall element

172-0001-00

- With adjustable mounting lugs
- Subsequent fine adjustment
- Wide range of installation sizes (85-112 mm)
- With vapor barrier disc
- Easy to assemble
- 4 pcs 1/2" connections: 2 inputs + 2 outputs
- 1 pc closing stopper
- With flushing element



MULTI-BOX® basic body length

273-0148-06

- Extension M22x1 4db
- O-ring 8 pcs
- Screw DIN912 4 pcs

Advantages of the concealed mixer system

- Multifunctionality: a concealed part that can be used to create a shower system, a bathtub mixer or all in one.
- Thanks to the concealed solution, burns caused by hot water flowing in the pipes can be avoided
- **Easy to use:** We can control the connected units on a single control interface (temperature, water volume, diverter)
- Less area to clean
- Space-saving solution for more space in the shower and bathroom
- The homogeneous wall surface gives the bathroom a unified look.

Did you know that...

it's sufficient to obtain external unit for the MOFÉM **MULTI-BOX®** system once when the bathroom is ready, because the **MULTI-BOX®** system can be pressurised thanks to the flushing element



Mechanic-friendly solutions



- **Independently adjustable legs** that fit perfectly to any wall surface and stably secure the system in the right plane, preventing malfunctions caused by subsequent mounting problems.



- Once fixed, the plane of the front surface **can be fine-adjusted** with the 4 screws. This can also help us if we have already connected the pipe system to the box, but some more adjustment is needed.



- Orientation teeth help to adjust the **horizontal/vertical position**. By placing the water level gauge, the product can be positioned accurately, thus ensuring the exact position of the off-wall unit.



- **A colour indicated hot/cold inlet connector** helps you connect the correct mains water. This way you can avoid the false connection of the box.
- **The dust protection disc protects** the inner connection surface from dirt, generated during masonry and tiling work.



- **The vapour barrier** prevents water and mist from entering the wall structure, thus avoiding soaking of the wall plane under the tile.



- **Wide installation size range:** the minimum and maximum installation range is marked on the box (27 mm).



- Thanks to the flushing element, the system can be pressurised after the **MULTI-BOX®** has been installed, and the pipes can be cleaned by flushing before fitting. It can also be used to perform a leak check.



ELEGANCE

Trend Plus

Concealed mixer external part 2 way

151-1551-10

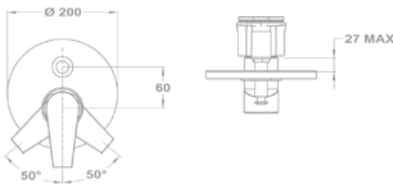
- 40 mm ceramic cartridge
- With metallic rosette
- With automatic shower diverter
- Without shower set

Trend Plus

Concealed mixer external part 1 way

153-1551-10

- 40 mm ceramic cartridge
- With metallic rosette
- Without shower set



STANDARD+

Junior Evo

Concealed mixer external part 2 way

151-0066-00

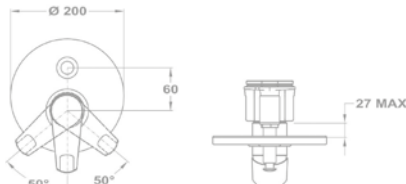
- 40 mm ceramic cartridge
- With metallic rosette
- With automatic shower diverter
- Without shower set

Junior Evo

Concealed mixer external part 1 way

153-0065-00

- 40 mm ceramic cartridge
- With metallic rosette
- Without shower set



STANDARD+

Junior Evo

Concealed shower mixer 1 way

170-0006-00

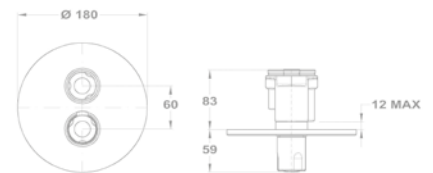
- Safety temperature STOP at 38 °C
- Check valves protected by filters
- Without shower set

Junior Evo

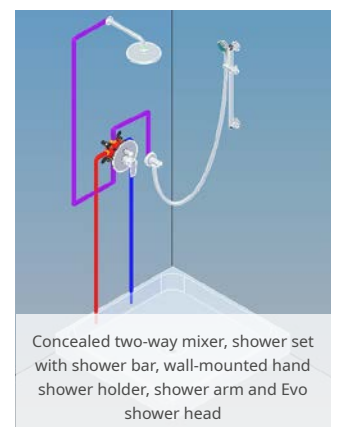
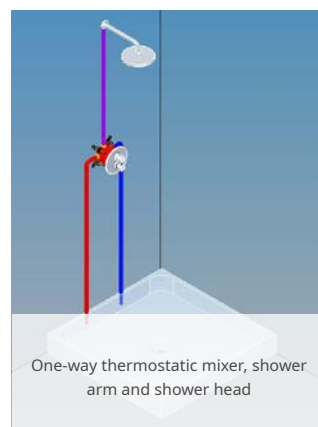
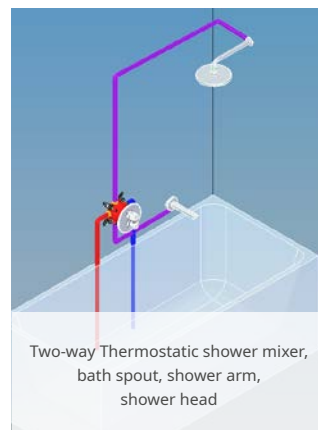
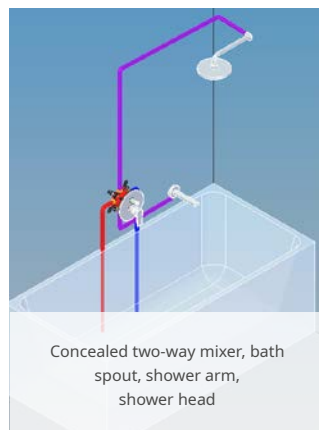
Concealed shower mixer 2 way

170-0005-00

- Safety temperature STOP at 38 °C
- Check valves protected by filters
- Without shower set



Recommended installation methods





Automatic self-closing valves

Featured functions



Automatic mixer

Save water with MOFÉM self-closing mixers that open and close at the touch of a button using an automatic valve.



Vandal proof

The mixers are made of a piece of brass, the working parts are not visible.



Spare parts program

We provide components for the marked products in a transparent system, in blister packaging with store counter displays.



Quick and easy installation

Quick and easy installation system. A 12 mm wrench is sufficient for most models.



5 years guarantee

We offer a 5-year guarantee and a 10-year parts supply for MOFÉM mixers.



Environmental protection

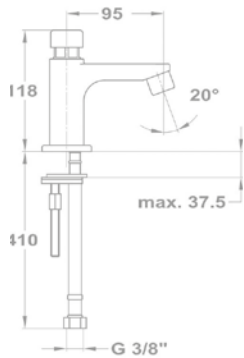
We think responsibly about our environment.



Automatic washbasin valve

146-0051-00

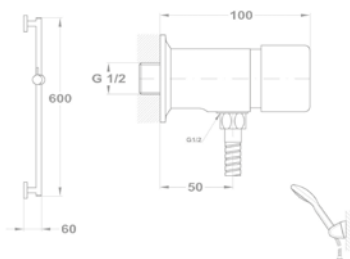
- Opened period: 10 sec.
- Single flushing volume (at 3 bar pressure) 1 l (at factory setting)
- Flushing volume is adjustable



M-Press self-closing shower valve

143-0118-01

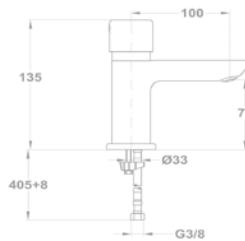
- Operating pressure range: 0,2 - 10 bar (recommended: 6 bar)
- Operating temperature range: 4 - 65 °C
- Factory-set timing value: 45 ± 6 sec (Timing value setting range: 5-45 sec)
- Water flow 12 ± 2 l/min. (on 3 bar pressure) (Flow rate adjustment range: 3-12 l/min)
- Water consumption in case of single operation: approx. 8 liter (3 bar)
- Standard compliance: MSZ EN 816



M-Press self-closing washbasin valve

146-0052-00

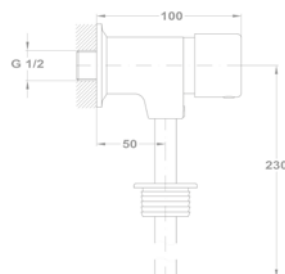
- Operating pressure range: 0,2 - 10 bar (recommended: 6 bar)
- Operating temperature range: 4 - 65 °C
- Factory-set timing value: 15 ± 5 sec (Timing value setting range: 5-45 sec)
- Water flow 5 ± 1 l/min. (on 3 bar pressure)
- (Flow rate adjustment range: 3-12 l/min)
- Water consumption in case of single operation: approx. 0,8 liter (3 bar)
- Standard compliance: MSZ EN 816



M-Press self-closing pissoire flush valve

166-0009-00

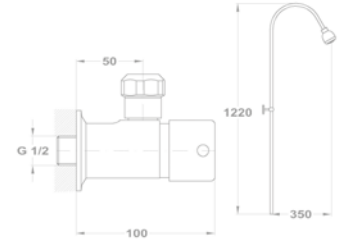
- Operating pressure range: 0,2 - 10 bar (recommended: 6 bar)
- Operating temperature range: 4 - 65 °C
- Water consumption in case of single operation: approx. 0,5 (-0,2) liter (1 bar)
- Standard compliance: MSZ EN 816



M-Press self-closing shower valve with fix rail

143-0118-00

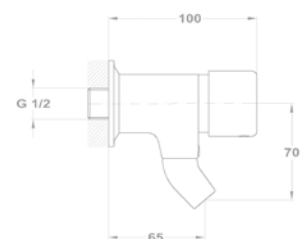
- Operating pressure range: 0,2 - 10 bar (recommended: 6 bar)
- Operating temperature range: 4 - 65 °C
- Factory-set timing value: 45 ± 6 sec (Timing value setting range: 5-45 sec)
- Water flow 12 ± 2 l/min. (on 3 bar pressure) (Flow rate adjustment range: 3-12 l/min)
- Water consumption in case of single operation: approx. 8 liter (3 bar)
- Standard compliance: MSZ EN 816



M-Press Self closing wall mounted washbasin/drinking fountain valve

166-0010-00

- Operating pressure range: 0,2 - 10 bar (recommended: 6 bar)
- Operating temperature range: 4 - 65 °C
- Factory-set timing value: 15 ± 5 sec (Timing value setting range: 5-45 sec)
- Water flow 5 ± 1 l/min. (on 3 bar pressure) (Flow rate adjustment range: 3-12 l/min)
- Water consumption in case of single operation: approx. 0,8 liter (3 bar)
- Standard compliance: MSZ EN 816





Medical mixers

Featured functions



Easy to install

A standard wrench is sufficient to fit most models.



Noise reducers

Bath and shower mixers contain noise reduction elements that significantly reduce the noise level in the water flow.



Water saving

The washbasin mixer contains an aerator that reduces water consumption to 5 l/min.



UP TO
60%

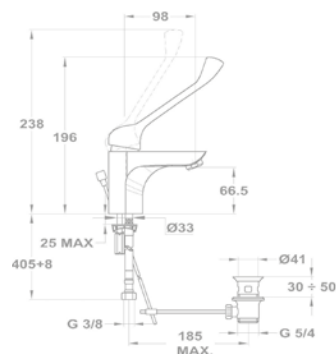
ELEGANCE

Trend Plus

Medical washbasin mixer

159-1501-00

- With pop up waste
- Anti-scale aerator (5 l/min)
- Aerator size: M24x1
- 40 mm ceramic cartridge
- Flexible inlet pipe 3/8"



UP TO
60%

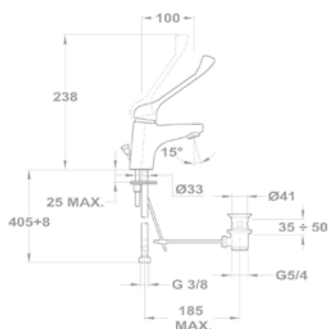
STANDARD+

Junior Evo

Medical washbasin mixer

159-0021-00

- With pop up waste
- Anti-scale aerator (5 l/min)
- Aerator size: M24x1
- 35 mm high ceramic cartridge
- Flexible inlet pipe 3/8"



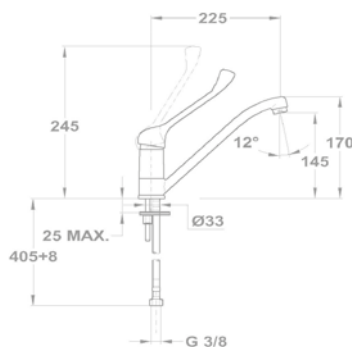
ELEGANCE

Trend Plus

Medical sink mixer

159-1551-02

- Swivel low spout
- Spout: 225 mm
- Anti-scale aerator
- Aerator size: M24x1
- 40 mm ceramic cartridge
- Flexible inlet pipe 3/8"



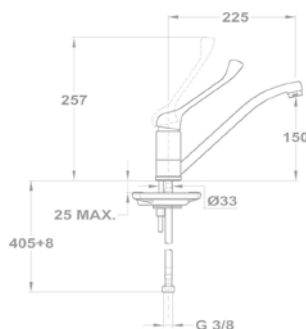
STANDARD+

Junior Evo

Medical sink mixer

159-0022-00

- Swivel low spout
- Spout: 225 mm
- Anti-scale aerator
- Aerator size: M24x1
- 35 mm low ceramic cartridge
- Flexible inlet pipe 3/8"



NEW

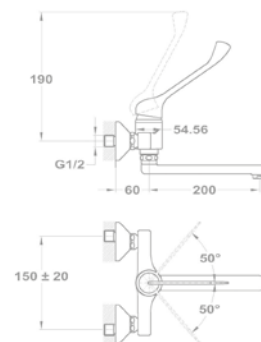
ELEGANCE

Trend Plus

Medical sink mixer

159-1551-06

- Swivel low spout
- Spout: 200 mm
- Anti-scale aerator
- Aerator size: M24x1
- 40 mm ceramic cartridge
- With a noise reducers



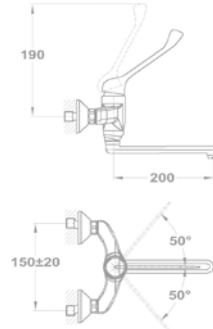
STANDARD+

Junior Evo

Medical sink mixer

159-0023-00

- Swivel low spout
- Spout: 200 mm
- Anti-scale aerator
- Aerator size: M24x1
- 35 mm low ceramic cartridge
- With a noise reducers





Additional fittings

Featured functions



Quality raw material

The MOFÉM products are made of high quality brass which guarantees the quality of the products.



Recyclable

The packaging of MOFÉM mixers is produced with environmentally friendly technologies. The cardboards are made of recycled paper and the imprints are made with environmentally friendly ink.



Spare parts program

We provide components for the marked products in a transparent system, in blister packaging with store counter displays.



Quick and easy installation

Quick and easy installation system. A 12 mm wrench is sufficient for most models.



Easy to clean

The MOFÉM mixers and accessories receive a layer of nickel and chromium during production, which not only protects the products but also makes them easy to clean.



Environmental protection

We think responsibly about our environment.

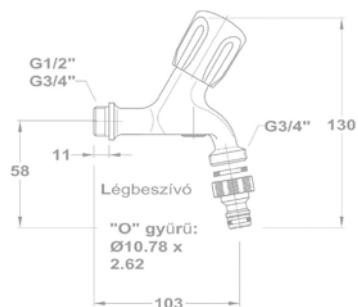


Outlet valve

- With tube and fast connection possibilities
- With air intaker

1/2" 162-0007-00

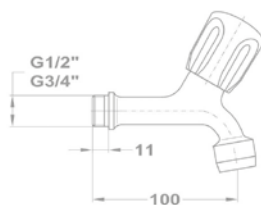
3/4" 162-0008-00



Outlet valve

- With aerator

1/2" 162-0005-00

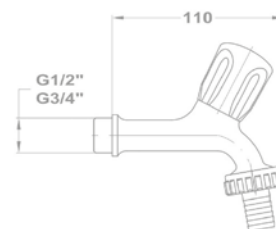


Outlet valve

- With tube connection

1/2" 162-0001-00

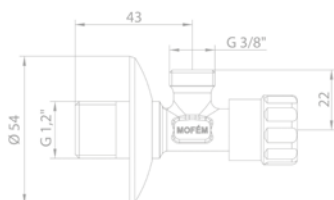
3/4" 162-0002-00



Angle valve

1/2" - 1/2" 163-0002-00

1/2" - 3/8" 163-0006-00

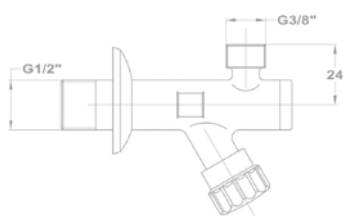




Angle valve with filter

163-0010-10

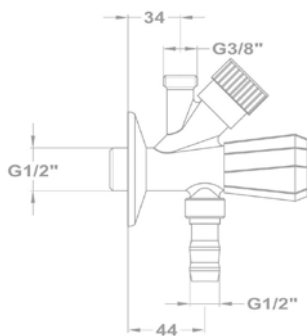
- With replaceable and cleanable stainless steel filter
- Connections: 3/8"



Combinat angle valve

163-0015-01

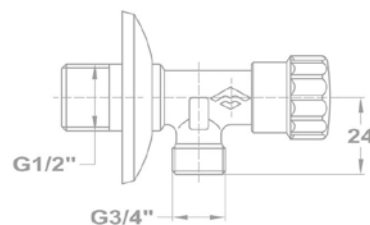
- Washing machine/dishwasher connection – 3/4"
- Washbasin mixer connection – 3/8"
- Wall connection – 1/2"
- With check valve
- With adjustable headpart
- With tube connection



Washing machine valve

163-0014-00

- Chrome surface
- 1/2" – 3/4"

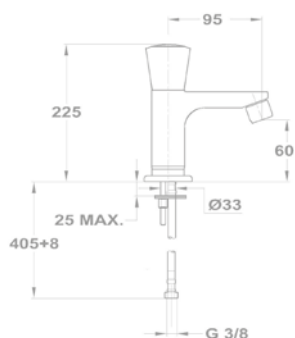


Golf

Washbasin valve

146-1261-00

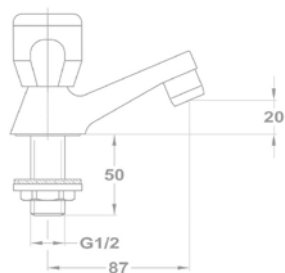
- For cold or pre-mixed water
- 180° ceramic headpart
- Water flow 7,5-9 l/min.
- Anti-scale aerator
- Aerator size: M22x1
- Flexible inlet pipe 3/8"



Standing valve Eurostar

146-0042-00

- Classic headpart
- Anti-scale aerator: M22x1



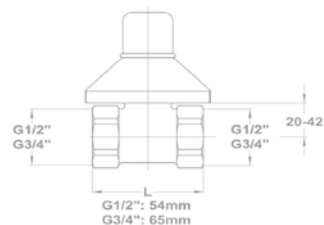
Straight valve

1/2" blue 164-0014-00

1/2" red 164-0015-00

3/4" blue 164-0016-00

3/4" red 164-0017-00

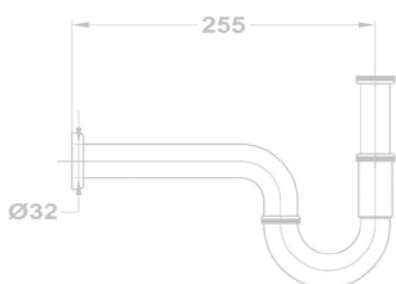




Pipe trap

165-0027-05

- Adjustable over a large size range
- Polished, chrome plated
- Conical O-ring design



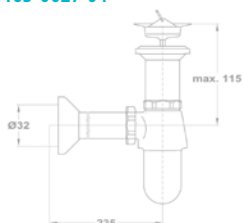
Trap

165-0027-00

- Polished, chrome plated
- Flow rate: 18 l/min
- With pop up waste

Without pop up waste

165-0027-04



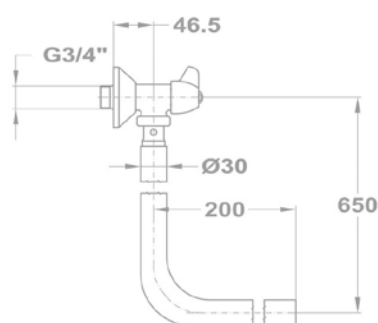
WC flushing valve

166-0002-00

- With flushing hose
- With metal handle
- Wall connection: 3/4"
- Flow rate: 27 l/min

Without flushing hose

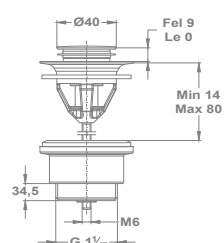
166-0002-01



Click pop up waste

168-0005-00

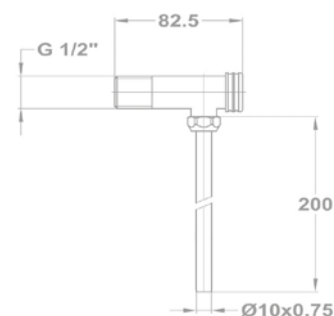
- Opening and closing can be operated by pressing the drain plug.
- Design finish
- Siphon connection: 5/4"



Flushing valve

166-0007-00

- Self-closing push button
- Wall connection: 1/2"
- Chrome-plated pipe: Ø10x0,75



MOFÉM descaling cleaner

502-0040-01

- With biodegradable citric acid based ingredients
- Suitable for cleaning limescale, dirty, greasy and soap stained surfaces
- Specially developed for mixers and bathroom accessories.
- Ergonomic design for a comfortable use
- 500 ml



Flexible inlet pipes

Featured functions



Extra resistant

Thanks to the high-quality stainless steel protective fabric, the MOFÉM flexible connection pipes are more resistant.



Quick and easy installation

Quick and easy installation system. A 12 mm wrench is sufficient for most models.



Harmless to health/non-toxic








The MOFÉM flexible connection pipes are made of non-toxic EPDM rubber that does not dissolve harmful substances when it gets in contact with water.



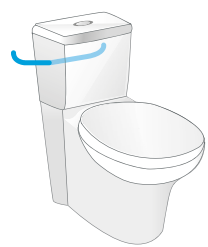
Durability

The design and material of MOFÉM flexible inlet pipes allow the products to operate safely even after a long time.

MFLEX DN 8

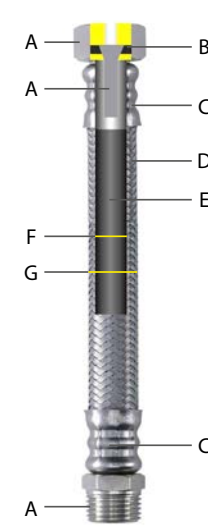
	Inner diameter (mm)	8
	Outer diameter (mm)	12
	Inner diameter of connecting part (mm)	6
	Flow rate: 3 bar-on (l/min)	28
	Minimum bending radius (mm)	30
	Operating pressure (bar)	10
	Operating temperature (°C)	90

Use



• Recommended for mixers and building system equipment

Materials



- A. Nickel-plated brass
- B. Harmless to health/non-toxic rubber - EPDM
- C. Stainless steel AISI304
- D. Protective fabric stainless steel AISI304
- E. Harmless to health/non-toxic rubber - EPDM
- F. Inner diameter 8 mm
- G. Outer diameter 12 mm



Description	Connection size	Length (mm)	Package	Box	Palette	Reference number
MFLEXV BB-1212-200	1/2"-1/2"	200	10	100	5 400	533-0003-03
MFLEXV BB-1212-300	1/2"-1/2"	300	10	100	5 400	533-0003-04
MFLEXV BB-1212-400	1/2"-1/2"	400	10	100	3 600	533-0003-05
MFLEXV BB-1212-500	1/2"-1/2"	500	10	100	2 400	533-0003-06
MFLEXV BB-1212-600	1/2"-1/2"	600	10	100	3 000	533-0003-07
MFLEXV BB-1212-700	1/2"-1/2"	700	10	100	3 000	533-0003-08
MFLEXV BB-1212-800	1/2"-1/2"	800	10	100	2 400	533-0003-09
MFLEXV BB-1212-1000	1/2"-1/2"	1 000	10	100	2 000	533-0003-00
MFLEXV BB-1212-1200	1/2"-1/2"	1 200	10	100	1 500	533-0003-01
MFLEXV BB-1212-1500	1/2"-1/2"	1 500	10	100	1 000	533-0003-02
MFLEXV BB-3812-200	3/8"-1/2"	200	10	100	5 400	533-0003-10
MFLEXV BB-3812-300	3/8"-1/2"	300	10	100	5 400	533-0003-11
MFLEXV BB-3812-400	3/8"-1/2"	400	10	100	3 600	533-0003-12
MFLEXV BB-3812-500	3/8"-1/2"	500	10	100	3 600	533-0003-13
MFLEXV BB-3838-200	3/8"-3/8"	200	10	100	5 400	533-0003-14
MFLEXV BB-3838-300	3/8"-3/8"	300	10	100	5 400	533-0003-15
MFLEXV BB-3838-400	3/8"-3/8"	400	10	100	2 800	533-0003-16
MFLEXV BB-3838-500	3/8"-3/8"	500	10	100	2 400	533-0003-17
MFLEXV BB-3838-600	3/8"-3/8"	600	10	100	4 000	533-0003-18
MFLEXV KB-1212-200	1/2"-1/2"	200	10	100	5 400	533-0004-03
MFLEXV KB-1212-300	1/2"-1/2"	300	10	100	5 400	533-0004-04
MFLEXV KB-1212-400	1/2"-1/2"	400	10	100	2 800	533-0004-05
MFLEXV KB-1212-500	1/2"-1/2"	500	10	100	2 000	533-0004-06
MFLEXV KB-1212-600	1/2"-1/2"	600	10	100	2 000	533-0004-07
MFLEXV KB-1212-800	1/2"-1/2"	800	10	100	3 000	533-0004-08
MFLEXV KB-1212-1000	1/2"-1/2"	1 000	10	100	2 000	533-0004-00
MFLEXV KB-1212-1200	1/2"-1/2"	1 200	10	100	1 500	533-0004-01
MFLEXV KB-1212-1500	1/2"-1/2"	1 500	10	100	900	533-0004-02
MFLEXV KB-1238-300	1/2"-3/8"	300	10	100	5400	533-0004-09
MFLEXV KB-1238-400	1/2"-3/8"	400	10	100	2800	533-0004-10
MFLEXV KB-1238-500	1/2"-3/8"	500	10	100	2000	533-0004-11
MFLEXV KB-3838-300	1/2"-3/8"	300	10	100	5400	533-0004-12
MFLEXV KB-3838-400	1/2"-3/8"	400	10	100	2800	533-0004-13
MFLEXV KB-3838-500	1/2"-3/8"	500	10	100	2000	533-0004-14
MFLEXV KB-3838-600	1/2"-3/8"	600	10	100	2000	533-0004-15

MFLEX DN 8

Use



- Recommended for bathroom and kitchen mixers



Description	Connection size	Length (mm)	Nozzle length (mm)	Package	Box	Palette	Reference number
MFLEXV B12-M10x1-L37-300	½" - M10x1	300	37	10	100	5 400	533-0006-00
MFLEXV B12-M10x1-L37-400	½" - M10x1	400	37	10	100	3 600	533-0006-01
MFLEXV B12-M10x1-L37-500	½" - M10x1	500	37	10	100	3 600	533-0006-02
MFLEXV B12-M10x1-L37-600	½" - M10x1	600	37	10	100	3 000	533-0006-03
MFLEXV B38-M10x1-L37-400	3/8" - M10x1	400	37	10	100	3 600	533-0006-04
MFLEXV B38-M10x1-L37-500	3/8" - M10x1	500	37	10	100	3 600	533-0006-05
MFLEXV B38-M10x1-L37-600	3/8" - M10x1	600	37	10	100	3 000	533-0006-06
MFLEXV B12-M10x1-L17-300	½" - M10x1	300	17	10	100	3 000	533-0006-07
MFLEXV B12-M10x1-L17-400	½" - M10x1	400	17	10	100	3 600	533-0006-08
MFLEXV B12-M10x1-L17-500	½" - M10x1	500	17	10	100	3 600	533-0006-09
MFLEXV B12-M10x1-L17-600	½" - M10x1	600	17	10	100		533-0006-10
MFLEXV B38-M10x1-L17-300	3/8" - M10x1	300	17	10	100	3 600	533-0006-11
MFLEXV B38-M10x1-L17-400	3/8" - M10x1	400	17	10	100	3 600	533-0006-12
MFLEXV B38-M10x1-L17-500	3/8" - M10x1	500	17	10	100	3 600	533-0006-13
MFLEXV B38-M10x1-L17-600	3/8" - M10x1	600	17	10	100	3 600	533-0006-14

MFLEX BICO DN 8








Use

- Recommended for mixers and building system equipment

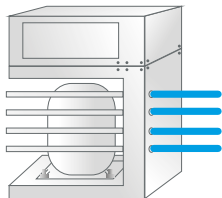


Description	Connection size	Length (mm)	Package	Box	Palette	Reference number
MFLEXV BICO BB-1210-100	1/2" - 10	100	10	100	8 400	533-0005-00
MFLEXV BICO BB-1210-150	1/2" - 10	150	10	100	8 400	533-0005-01
MFLEXV BICO BB-1210-200	1/2" - 10	200	10	100	5 400	533-0005-02
MFLEXV BICO BB-1210-250	1/2" - 10	250	10	100	5 400	533-0005-03
MFLEXV BICO BB-1210-300	1/2" - 10	300	10	100	5 400	533-0005-04
MFLEXV BICO BB-1210-350	1/2" - 10	350	10	100	5 400	533-0005-05
MFLEXV BICO BB-1210-400	1/2" - 10	400	10	100	3 600	533-0005-06
MFLEXV BICO BB-1210-500	1/2" - 10	500	10	100	3 600	533-0005-07
MFLEXV BICO BB-1210-600	1/2" - 10	600	10	100	3 000	533-0005-08
MFLEXV BICO BB-3810-100	3/8" - 10	100	10	100	8 400	533-0005-09
MFLEXV BICO BB-3810-150	3/8" - 10	150	10	100	8 400	533-0005-10
MFLEXV BICO BB-3810-200	3/8" - 10	200	10	100	5 400	533-0005-11
MFLEXV BICO BB-3810-250	3/8" - 10	250	10	100	5 400	533-0005-12
MFLEXV BICO BB-3810-300	3/8" - 10	300	10	100	5 400	533-0005-13
MFLEXV BICO BB-3810-400	3/8" - 10	400	10	100	3 600	533-0005-14
MFLEXV BICO BB-3810-500	3/8" - 10	500	10	100	3 600	533-0005-15

MFLEX SUPER DN 13

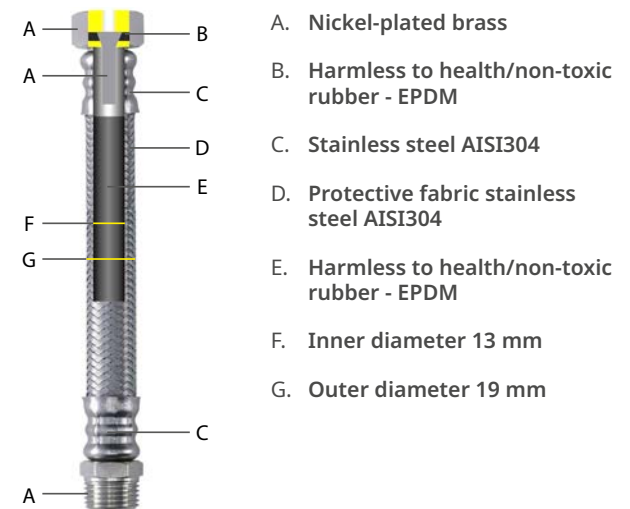
	Inner diameter (mm)	13
	Outer diameter (mm)	19
	Inner diameter of connecting part (mm)	9.5
	Flow rate: 3 bar-on (l/min)	65
	Minimum bending radius (mm)	45
	Operating pressure (bar)	10
	Operating temperature (°C)	90

Use



- Recommended for gas boilers, boilers and air conditioners

Materials

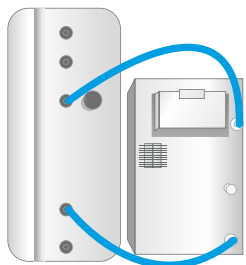


Description	Connection size	Length (mm)	Package	Box	Palette	Reference number
MLEXV SUPER BB-1212-300	1/2" - 1/2"	300	10	50	2 000	533-0007-00
MLEXV SUPER BB-1212-400	1/2" - 1/2"	400	10	50	1 000	533-0007-01
MLEXV SUPER BB-3412-300	3/4" - 1/2"	300	10	50	1 200	533-0007-02
MLEXV SUPER BB-3412-400	3/4" - 1/2"	400	10	50	1 200	533-0007-03
MLEXV SUPER BB-3434-300	3/4" - 3/4"	300	10	50	1 000	533-0007-04
MLEXV SUPER BB-3434-400	3/4" - 3/4"	400	10	50	1 200	533-0007-05
MLEXV SUPER BB-3434-500	3/4" - 3/4"	500	10	50	2 000	533-0007-06
MLEXV SUPER BB-3434-600	3/4" - 3/4"	600	10	50	1 200	533-0007-07
MLEXV SUPER KB-3434-300	3/4" - 3/4"	300	10	50	1 200	533-0007-08
MLEXV SUPER KB-3434-400	3/4" - 3/4"	400	10	50	1 200	533-0007-09
MLEXV SUPER KB-3434-500	3/4" - 3/4"	500	10	50	2 000	533-0007-10

MFLEX EXTRA DN 19, DN 25

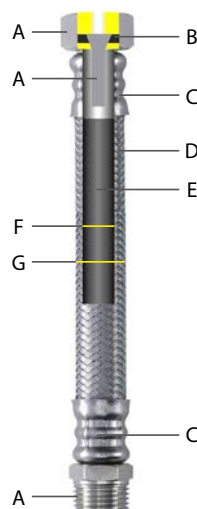
	Inner diameter (mm)	19/25
	Outer diameter (mm)	27/33
	Inner diameter of connecting part (mm)	15/20
	Flow rate: 3 bar-on (l/min)	120/200
	Minimum bending radius (mm)	70/100
	Operating pressure (bar)	10/10
	Operating temperature (°C)	90/90

Use



- Recommended for gas boilers and air conditioners

Materials



- A. Nickel-plated brass
- B. Harmless to health/non-toxic rubber - EPDM
- C. Stainless steel AISI304
- D. Protective fabric stainless steel AISI304
- E. Harmless to health/non-toxic rubber - EPDM
- F. Inner diameter 19/25 mm
- G. Outer diameter 19/25 mm



DN 19 MFLEX EXTRA

Description	Connection size	Length (mm)	Package	Box	Palette	Reference number
MFLEXV EXTRA BB -34-300	3/4"	300	5	30	720	533-0002-08
MFLEXV EXTRA BB -34-400	3/4"	400	5	30	720	533-0002-09
MFLEXV EXTRA BB -34-500	3/4"	500	5	30	1 200	533-0002-10
MFLEXV EXTRA BB -34-600	3/4"	600	5	30	900	533-0002-11
MFLEXV EXTRA KB -34-300	3/4"	300	5	30	720	533-0002-12
MFLEXV EXTRA KB -34-400	3/4"	400	5	30	600	533-0002-13
MFLEXV EXTRA KB -34-500	3/4"	500	5	30	960	533-0002-14
MFLEXV EXTRA KB -34-600	3/4"	600	5	30	900	533-0002-15

DN 25 MFLEX EXTRA

Description	Connection size	Length (mm)	Package	Box	Palette	Reference number
MFLEXV EXTRA BB -1-300	1"	300	3	21	504	533-0002-00
MFLEXV EXTRA BB -1-400	1"	400	3	21	504	533-0002-01
MFLEXV EXTRA BB -1-500	1"	500	3	21	840	533-0002-02
MFLEXV EXTRA BB -1-600	1"	600	3	21	630	533-0002-03
MFLEXV EXTRA KB -1-300	1"	300	3	21	504	533-0002-04
MFLEXV EXTRA KB -1-400	1"	400	3	21	504	533-0002-05
MFLEXV EXTRA KB -1-500	1"	500	3	21	840	533-0002-06
MFLEXV EXTRA KB -1-600	1"	600	3	21	630	533-0002-07





MOFÉM



MOFÉM

WOŁEW



Spare parts program

Wall rosettes, rosettes

page 150

Connections

page 150

Handles

page 151

Aerators

page 153

Cartridges, upper parts, repair kits

page 154

Spouts

page 156

Shower diverters

page 156

Other parts

page 157

Wall rosettes, rosettes



Rosette with conical design

273-0054-06

- 2 pcs rosette
- For single- and two-handed wall-mounted mixers



Wall rosette 1/2"

273-0056-06

- 2 pcs wall rosette 1/2"
- Eurostar wall-mounted swivel spout
- Treff swivel spout



Wall rosette 3/4"

273-0057-06

- 2 pcs wall rosette 3/4"
- WC flushing



Rosette with cylindrical design

273-0113-06

- 2 pcs rosette
- For single- and two-handed wall-mounted mixers



Rosette

273-0053-06

- 2 pcs rosette



Rosette with square design

173-0030-06

- 2 pcs rosette
- For single- and two-handed wall-mounted mixers



Rosette

173-0030-01

- 2 pcs rosette
- For single- and two-handed wall-mounted mixers



Rosette

- Concealed 1 way [173-0030-04](#)
- Concealed 2 way [173-0030-05](#)
- Concealed thermostatic 2 way [173-0030-06](#)
- Concealed thermostatic 1 way [173-0030-07](#)

- 1 pc rosette
- 1 pc rubber ring



Cover and cap

- Blue [173-0030-02](#)
- Red [173-0030-03](#)
- For 1/2" and 3/4" straight valves
- 1 pc cover 3/4"
- 1 pc cap
- 1 pc fastening pad
- 1 pc tile connection
- 1 pc O-ring 17x2
- 1 pc O-ring 19.2x3

Connections



Connection nuts with sealing

273-0011-06

- 2 pcs connection nuts 3/4"
- 2 pcs sealing M18x1,25
- 2 pcs O-ring 14x2
- For two-handle type H shower mixers



Connecting gear 3/4"-1/2"

273-0013-06

- Two-handle
- For „H" type two-handled mixers



Quick connection 3/4"

273-0017-06

- 1 pc quick connection fitting
- 1 pc washer 24x19x3
- 1 pc O-ring 10,77x2,62



S-connection

273-0039-06

- 2 pcs S-connection
- 2 pcs washer
- For single- and two-handled wall-mounted mixers



Plastic connection

173-0031-00

- 1 pc connection
- For spout J130, J180, J240, L200, U200

Handles

Handle Flow

173-0032-00

- 1 pc Flow handle 40 mm
- 1 pc chrome-plated colour indicator
- 1 pc grub screw M5x6
- For Flow washbasin, bath/shower and shower mixers



Handle Flow

173-0032-01

- 1 pc Flow handle 35 mm
- 1 pc chrome-plated colour indicator
- 1 pc grub screw M5x6
- Flow washbasin and sink mixers



Handle Flame

173-0032-05

- 1 pc Flame handle 40 mm
- 1 pc chrome-plated colour indicator
- 1 pc grub screw M5x6
- Flame washbasin, bidet, bath/shower and low-spout sink mixers



With reversed MOFÉM logo

173-0032-06

- For 40 mm ceramic cartridge
- For Flame sink mixer with high spout

Handle Sky

173-0032-03

- 1 pc Sky handle 40 mm
- 1 pc chrome-plated colour indicator
- 1 pc grub screw M5x6
- For Sky washbasin, bidet, bath/shower, shower and low spout sink mixers



Handle Zenit

173-0032-07

- 1 pc Zenit handle
- 1 pc chrome-plated colour indicator
- 1 pc grub screw M5x6
- For Zenit washbasin, bath/shower, shower and low spout sink mixers



Handle Trend Plus

273-0153-06

- 1 pc Trend Plus handle
- 1 pc chrome-plated colour indicator
- 1 pc grub screw M5x6
- For Trend Plus washbasin, bath/shower and shower mixers



With reversed MOFÉM logo

273-0154-06

- For bath/washbasin mixers and high spout sink mixers

Handle Junior Evo

273-0088-06

- 1 pc Junior Evo handle 35 mm
- 1 pc chrome-plated colour indicator
- 1 pc grub screw M5x6
- Junior Evo For washbasin, bidet, bath/shower, shower and low spout sink mixers



Handle Junior Evo

273-0158-06

- 1 pc Junior Evo handle 40 mm
- 1 pc chrome-plated colour indicator
- 1 pc grub screw M5x6
- Junior Evo For concealed bath/shower mixers and pull-out sink mixers



Handle Evo X

173-0032-02

- 1 pc Evo X handle 35 mm with reversed MOFÉM logo
- 1 pc chrome-plated colour indicator
- 1 pc grub screw M5x6
- For Evo X sink mixers with high spout



With reversed MOFÉM logo

273-0157-06

- For 35 mm ceramic cartridge
- Junior Evo For bath/washbasin and sink mixers with high spout

Handles

Handle Pro

273-0155-06

- 1 pc Pro handle
- 1 pc chrome-plated colour indicator
- 1 pc grub screw M5x6
- For Pro washbasin, bath/shower, shower, wall bath/washbasin mixers and low spout sink mixers



With reversed MOFÉM logo

273-0156-06

- For standing bath/shower sink mixers and sink mixers with high spout

Handle Golf

273-0109-06

- 2 pcs Golf handle
- 1 pc colour indicator blue
- 1 pc colour indicator red
- 2 pcs screw M4x10
- Golf range



Handle Mambo-5

273-0085-06

- 1 pc Mambo-5 handle
- 1 pc chrome-plated colour indicator
- 1 pc grub screw M5x6
- For Mambo-5 washbasin, bath/shower, shower and low spout sink mixers



With reversed MOFÉM logo

273-0162-06

- For standing bath/shower sink mixers and sink mixers with high spout

Handle Treff

273-0019-06

- 1 pc Treff handle
- 1 pc colour indicator warm
- 1 pc cap
- 1 pc screw M4x8
- 1 pc flinch M4
- Treff range



273-0019-06

273-0019-06

273-0019-06

273-0019-06

273-0019-06

273-0019-06

273-0019-06

273-0019-06

Handle Mode

273-0087-06

- 1 pc Mode handle
- 1 pc chrome-plated colour indicator
- 1 pc grub screw M5x6
- For Mode washbasin, bath/shower and shower mixers



With reversed MOFÉM logo

273-0160-06

- For standing bath/shower sink mixers and sink mixers with high spout

Handle Evo X

173-0032-10

- 2 pcs Evo X handle
- 1 pc colour indicator blue
- 1 pc colour indicator red
- 2 pcs screw M5x6
- Evo X two-handled washbasin and sink mixers



Handle Bridge

173-0032-09

- 1 pc Bridge handle
- 1 pc chrome-plated colour indicator
- 1 pc grub screw M5x6
- For Bridge bath/washbasin mixers, shower and low-sprout sink mixers



Handle Eurostar

273-0058-06

- 2 pcs Eurostar handle
- 1 pc colour indicator blue
- 1 pc colour indicator red
- 2 pcs screw M4x10
- Eurostar range
- Boiler mixer
- Outlet valve



Handle Inka

273-0086-06

- 1 pc Inka handle
- 1 pc chrome-plated colour indicator
- 1 pc grub screw M5x6
- For Inka washbasin, bath/shower, shower and low spout sink mixers



With reversed MOFÉM logo

273-0161-06

- For standing bath/shower sink mixers and sink mixers with high spout

Handle Junior

273-0022-06

- 1 pc Junior handle
- 1 pc colour indicator
- 1 pc grub screw M5x6
- For Junior washbasin, bath/shower and shower mixers



With reversed MOFÉM logo

273-0023-06

- For bath/washbasin, boiler and high spout sink mixers

Handle Treff

273-0018-06

- 1 pc Treff handle
- 1 pc colour indicator cold
- 1 pc cap
- 1 pc screw M4x8
- 1 pc flinch M4
- Treff range



Colour indicator Eurostar

- Eurostar range, outlet valve
 - » 50 pcs blue colour indicator [173-0034-00](#)
 - » 50 pcs red colour indicator [173-0034-01](#)



Aerators



Aerator with swivel ball

273-0027-06

- Flow rate: „B“ 22,8-25,2 l/min
- 1 pc aerator with swivel ball M22x1
- Mambo-5, Inka, MF2, Treff, Eurostar and Szolár Nova bidets



Aerator with swivel ball

273-0028-06

- Flow rate: „B“ 22,8-25,2 l/min
- 1 pc aerator with swivel ball M24x1 HONEYCOMB
- Trend Plus, Trend, Mode, Junior Evo, Junior and Inka bidet



Aerator

273-0025-06

- Flow rate: „B“ 22,8-25,2 l/min
- 2 pcs complete aerator M24x1 HONEYCOMB
- For Trend Plus, Trend, Mode, Junior Evo, Junior, Inka, Treff, Eurostar and Szolár Nova washbasin and bidet mixers
- For Trend Plus, Junior Evo, Pro, Junior, Inka, Mambo-5 bath/shower and sink mixers



Aerator

273-0026-06

- Flow rate: „D“ 34,8-37,8 l/min
- 1 pc complete aerator M28x1 HONEYCOMB
- Flame, Sky, Mode, Trend, Treff, Szolár, Nova bath/shower mixer



Aerator

273-0142-06

- Flow rate: 22,8 - 25,2 l/min
- 2 pcs complete aerator M19x1 HONEYCOMB
- For Trend Plus, Junior Evo, Sky and Golf washbasin mixers



Aerator ECO

- 2 pcs complete aerator M24x1 HONEYCOMB
- For Flame, Trend Plus, Mode, Junior Evo, Pro, Trend, Inka, Junior and Mambo-5 washbasin mixers

Flow rate: 5 l/min 273-0112-06

Flow rate: 7,5-9 l/min 273-0021-06



Aerator ECO

273-0020-06

- Flow rate „Z“: 7,5-9 l/min
- 2 pcs complete aerator M22x1 HONEYCOMB
- For Mambo-5, Eurostar and Treff washbasin mixers

273-0024-06

- Flow rate „B“ : 22,8 - 25,2 l/min
- 2 pcs complete aerator M22x1 HONEYCOMB



Aerator ECO

273-0141-06

- Flow rate: 7,5-9 l/min
- 2 pcs complete aerator M19x1 HONEYCOMB
- For Trend 2, Junior Evo and Golf washbasin mixers



Aerator

173-0035-04

- Flow rate: 22,8 - 25,2 l/min
- 2 pcs complete aerator M22x1
- For Evo X washbasin and sink mixers



Coin Slot aerator

173-0035-01

- Flow rate: 5 l/min
- 2 pcs Coin Slot aerator

173-0035-00

- Flow rate: 27-30 l/min
- 2 pcs Coin Slot aerator



Flow guide

173-0035-03

- For boiler washbasin and sink mixers
- 2 pcs flow guide
- M22x1



Flow guide

173-0035-02

- For boiler washbasin and sink mixers
- 2 pcs flow guide
- M24x1

Cartridges, headparts and repair sets



Repair set

273-0042-06

- 1 pc screw
- 1 pc shower diverter excenter
- 2 pcs O-ring
- 1 pc washer Ø24x20x1,5
- For two-handle bath/shower mixers



Multipurpose tool

273-0044-06

- 1 pc multipurpose tool
- To replace the cartridge and aerator of single lever mixers



Repair set

- 1 pc fixing screw
- 1 pc cartridge:
 - › Low 45 mm [273-0047-06](#)
 - › Low 40 mm [273-0063-06](#)
 - › Height 40 mm [273-0065-06](#)
 - › Low 35 mm [273-0071-06](#)
 - › Height 35 mm [273-0043-06](#)



Cartridge 90°

- 1 pc fixing screw
- 1 pc cartridge and plastic connection with ECO Click system [173-0036-07](#)
- For Trend Plus and Evo X high spout sink mixers

Cartridge 2x45°

- For Trend Plus and Evo X high spout washbasin mixers [173-0036-08](#)



Cartridge ECO

- 1 pc fixing screw
- 1 pc cartridge with temperature control
 - » Height 40 mm [173-0036-00](#)
 - » Height 35 mm [173-0036-01](#)



Repair set

- 1 pc metallic fixing screw
- 1 pc cartridge:
 - » Low 35 mm [173-0036-11](#)
 - » Height 35 mm [173-0036-10](#)
- For the products in Zenit and Bridge range (except sinks and 84.382.28.00)



Headpart 1/2" Classic

273-0029-06

- 2 pcs compression headpart 1/2"
- For the Eurostar Treff and Solar Nova mixer ranges



Headpart 3/4

273-0033-06

- 1 pc valve headpart 3/4
- WC flushing valve



Headpart 1/2"

273-0030-06

- 2 pcs ceramic headpart 1/2", 180°
- For the Golf, Eurostar Treff and Solar Nova mixer ranges

Headpart 90°

- 1 pc valve headpart 90° opens to the left [173-0036-13](#)
- 1 pc valve headpart 90° opens to the right [173-0036-14](#)



Ceramic headpart

- 1 pc ceramic headpart

Junior Evo For thermostatic shower mixer

273-0167-06

For Pro thermostatic shower mixers

273-0168-06



Thermostatic part

- 1 pc thermostatic part
- 1 pc balancing valve

Junior Evo For thermostatic shower mixer

273-0165-06

For Pro thermostatic shower mixers

273-0166-06



Headpart for self-closing washbasin and pissoire flush valve

273-0170-06

- Opened period (3bar) 10±15% sec
- Flushing water volume (3 bar) 1l



Cartridge base

- For 40 mm cartridge [173-0036-02](#)
- For 35 mm cartridge [173-0036-12](#)

- 1 pc cartridge base

Spouts

**Spout J130**

173-0037-04

- 1 pc spout J130
- For Trend Plus and Junior Evo washbasin mixers (with plastic quick connection)

**Spout J180**

173-0037-00

- 1 pc spout J180
- For standing sink mixers (with plastic quick connection)

**Spout L200**

173-0037-02

- 1 pc spout L200
- For standing sink mixers (with plastic quick connection)

**Spout U200**

173-0037-03

- 1 pc spout U200
- For standing sink mixers (with plastic quick connection)

**Pull-out spout J180**

173-0037-01

- 1 pc pull-out spout J190
- For Evo X pull-out sink mixer

**Spout C130**

273-0015-06

- 1 pc spout C130
- For Eurostar, Treff and Szolár Nova washbasin, Eurostar Treff standing swivel spout

**Spout C200**

273-0016-06

- 1 pc spout C200 HP
- For the Eurostar, Treff and Solar Nova standing washbasin mixers

**Spout C300**

273-0010-06

- 1 pc spout C300
- For standing bath/washbasin mixers

**Spout C150 HP**

273-0080-06

- 1 pc spout C150 HP
- For Treff washbasin/sink mixers

**Spout C180 HP**

273-0078-06

- 1 pc spout C180 HP
- For Trend, Inka, Junior, Mambo-5, Treff sink mixers

**Spout C210 HP**

273-0081-06

- 1 pc spout C210 HP
- For Flame, Zenit, Mode, Junior Evo, Pro, Inka and Golf sink mixers

**Spout HP125**

273-0178-06

- 1 pc spout HP125
- For Mode, Junior Evo, Pro, Trend, Junior and Mambo-5 wall-mounted sink mixers

**Spout HP200**

273-0012-06

- 1 pc spout HP200
- For Mode, Junior Evo, Pro, Trend, Junior and Mambo-5 wall-mounted sink mixers

**Spout HP300**

273-0108-06

- 1 pc spout HP300
- For Eurostar and Treff wall-mounted bath/washbasin mixers

**Spout S125**

273-0177-06

- 1 pc spout S125
- Eurostar, Treff, Solar Nova wall-mounted washbasin and wall-mounted swivel spout

Spouts



Spout S200

273-0014-06

- 1 pc spout S200
- Eurostar, Treff, Solar Nova wall-mounted washbasin and wall-mounted swivel spout



Spout S300

273-0009-06

- 1 pc spout S300
- For Eurostar and Treff wall-mounted bath/washbasin mixers



Spout J150

273-0106-06

- 1 pc spout J150
- For Trend Plus and Golf washbasin mixers



Spout J190

273-0107-06

- 1 pc spout J190
- For Sky, Trend Plus, Junior Evo and Golf sink mixers



Spout U300

273-0079-06

- 1 pc spout U300
- For standing bath/washbasin mixers

Shower diverters



Shower diverter

173-0038-00

- 1 pc Flow shower diverter
- For Flow bath/shower mixers



Shower diverter

173-0038-04

- 1 pc Zenit shower diverter
- For Zenit bath/shower mixer



Shower diverter ceramic

169-0025-00

- 90°C
- Standing and wall-mounted bath/washbasin mixers



Bath/washbasin diverter

273-0034-06

- 1 pc diverter to bath/washbasin mixers
- Standing and wall-mounted bath/washbasin mixers



Shower diverter

273-0036-06

- 1 pc Trend shower diverter
- 1 pc Trend shower diverter handle
- 1 pc shower hose connector with sealing
- Trend bath/shower mixer, pre-2010 models of Mambo-5 bath/shower mixer



Shower diverter

273-0037-06

- 1 pc Junior shower diverter
- Junior bath/shower mixer (pre-2010 models)



Shower diverter

173-0038-10

- 1 pc shower diverter for concealed Junior Evo and Trend Plus 2 way shower mixers



Shower diverter

273-0038-06

- 1 pc Inka shower diverter
- For Inka bath/shower mixers



Shower diverter

273-0064-06

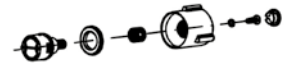
- 1 pc shower diverter
- Flame, Sky, Golf, Junior, Junior Evo, Pro, Mambo-5 bath/shower mixer and Junior Evo wall-mounted bath/washbasin mixer



Shower diverter

173-0038-05

- 1 pc Bridge shower diverter
- Bridge bath/shower mixer



Zenit shower diverter

- 2-way shower diverter for 153-1901-01 shower system
173-0038-08
- 3-way shower diverter for 153-1901-02 shower system
173-0038-09



Shower diverter

173-0038-01

- 1 pc Shower diverter
- For the 153-0048-00 shower system



Ceramic diverter

173-0038-06

- 1 pc ceramic diverter
- 275-0059-07 For universal shower system



Handle

173-0038-03

- 1 pc diverter handle
- 1 pc screw
- For Eurostar bath/shower mixer and toilet flushing valve



Shower diverter handle Treff

173-0038-02

- 1 pc diverter handle
- 1 pc screw

Other parts



Hand shower holder

273-0151-06

- For Basic shower bar (275-0034-07)
- 1 pc adjustable shower holder
- Ø 18 mm

273-0169-06

- 1 pc hand shower holder for Junior Evo shower systems
- Ø 25 mm



Hand shower holder

173-0039-03

- 1 pc hand shower holder with button
- Ø 22 mm
- 153-1901-01, 153-1901-02

173-0039-04

- 1 pc hand shower holder with button
- Ø 25 mm
- 170-1901-00, 170-0009-00, 153-0049-00, 153-1901-03, 84.202.28.00, 25.202.28.00



Sealing ring

273-0077-06

- For Zenit, Bridge, Junior Evo, Junior, Mambo-5 and Inka low spout sink mixers
- 2 pcs sealing ring 38x29,5x4,3 mm
- 2 pcs spacer ring



Sealing ring

273-0111-06

- For Sky, Flame, Trend Plus and Mode low spout sink mixers
- 2 pcs sealing ring 42,5x33,3x3,5 mm
- 2 pcs spacer ring



Pop up waste

165-0032-00

- Automatic
- With vidage stick

Vidage connection

173-0039-08

- 10 pcs connection parts



Pop up waste piston

273-0059-06

- 1 pc pop up waste piston
- For automatic pop up drain valve

Other parts



Treff
Wall mount bracket
 273-0082-06

- 1 pc Treff wall mount bracket
- For Treff bath/shower and shower mixers with upper connection



Eurostar
Hand shower holder
 273-0083-06

- 1 pc Eurostar hand shower holder
- For Eurostar bath/shower mixers with upper connection



Cover square-shaped
 173-0039-00

- For Flow washbasin and sink mixers
- 1 pc cover ring
- 1 pc sealing



Universal cover ring
 273-0183-06

- 1 pc cover ring
- Size: 57X6 mm
- Compatible with all standing MOFÉM mixers



Cover ring
 173-0039-07

- 1 pc cover ring
- 1 pc sealing
- For Zenit sink and bidet mixers



Cover ring
 273-0182-06

- For Golf automatic washbasin valve
- 1 pc cover ring
- 1 pc sealing



Washbasin cover ring

- 1 pc washbasin cover ring
 - › For Pro, Inka, Mambo-5 washbasin and standing sink mixers [273-0163-06](#)
 - › For Golf washbasin and standing sink mixers [273-0164-06](#)



Flow regulator
 273-0067-06

- 1 pc flow regulator
- Flow rate: 10 l/min
- For bath/shower and shower mixers



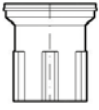
Fixing set Mambo-5
 273-0050-06

- 1 pc screw with nut M8
- 1 pc metal fixing plate
- 1 pc rubber fixing plate
- 1 pc rubber sealing ring



Fixing set Junior
 273-0049-06

- 1 pc screw with nut M8
- 1 pc metal fixing plate
- 1 pc rubber fixing plate
- 1 pc rubber sealing ring



Boiler mounting kit

173-0039-09

- 1 pc fixing plate



Boiler mounting kit

273-0051-06

- 1 pc screw with nut M8
- 1 pc metal fixing plate
- 1 pc rubber fixing plate
- 1 pc rubber sealing ring
- 1 pc supplement



Fixing set Trend

273-0048-06

- 1 pc screw with nut M8
- 1 pc metal fixing plate
- 1 pc rubber fixing plate
- 1 pc rubber sealing ring



Fixing set Zenit and Bridge

173-0039-02

- 2 pcs screw with nut M8
- 1 pc metal fixing plate
- 1 pc rubber fixing plate
- 1 pc rubber sealing ring



Cover cap

- For Zenit and Bridge washbasin, bidet, bath/shower and shower mixers
- 1 pc cover cap
 - › 35 mm **173-0036-09**



Cover cap

- For single lever washbasin, bidet, bath/shower and sink mixers
- 1 pc cover cap
 - › 35 mm with colour indicator **173-0036-05**
 - › 40 mm with colour indicator **173-0036-06**



Cover cap

- For Flow range
- 1 pc cover cap
 - › 35 mm with colour indicator **173-0036-04**
 - › 40 mm with colour indicator **173-0036-03**



Pull-out shower

173-0039-01

- 1 pc shower head
- For Flame, Trend Plus and Junior Evo pull out sink mixers



Pull-out shower

173-0174-06

- 1 pc shower head
- For Trend Plus and Junior Evo pull out sink mixers



Unit package

173-0039-05

- Support arm, cover disc, hexagon nut M5 A2, ball
- For Basic shower system 279-0076-08

173-0039-06

- Connecting nut 3/4" with washer Ý21x17.3x0.2, Washer 24x16x4
- For Basic shower system 279-0076-08



Pull-out shower hose

273-0173-06

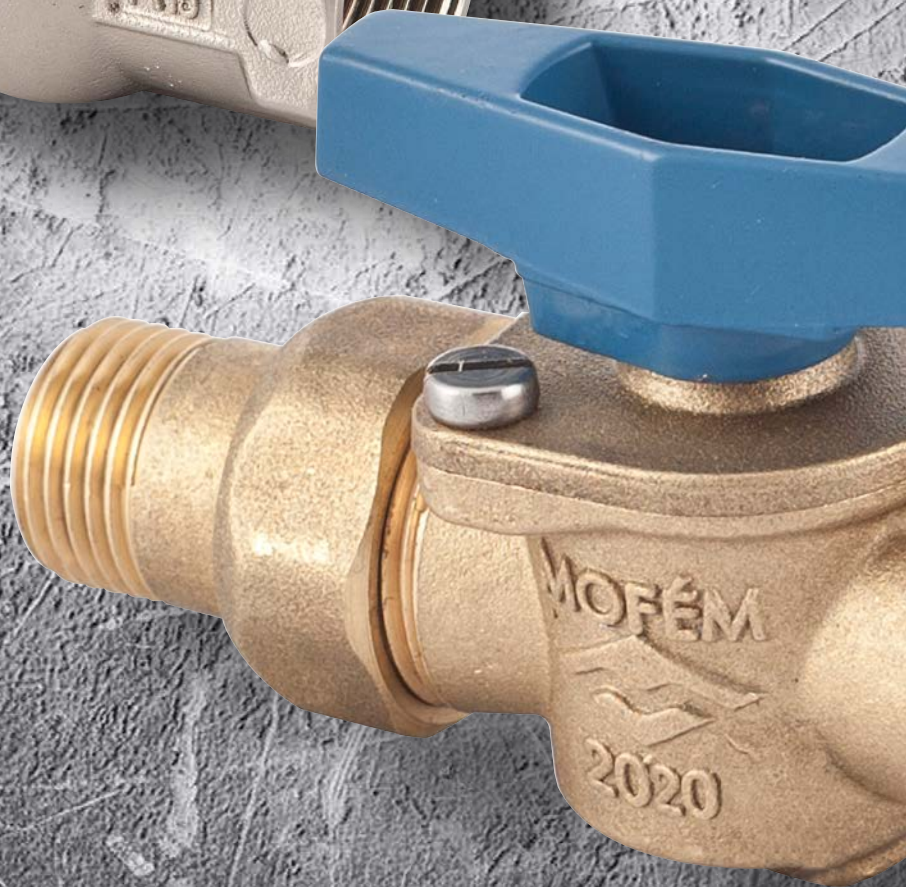
- 1 pc pull-out shower hose
- For Trend Plus and Junior Evo pull out sink mixers



Shower hose

173-0014-00

- 1 pc shower hose 600 mm





Water, gas and heating fittings

AHA ball valves
page 162

Flexum gas ball valves
page 165

Other fittings
page 169

Air and dirt separator
page 170

Building technology parts
page 172



AHA ball valves

Featured functions

Operating temperature

Min. 0 °C (storage -20 °C) Max. 90 °C

Permitted operating pressure

16 bar

Applicable medium

Drinking water Industrial water



10 years guarantee

We offer a 10-year guarantee for complete tightness and leak-freeness.



Top choice of professional mechanics

German raw materials tested and selected according to European Standard. The safe use of the AHA ball valve family is also certified by NPHMOS.



Mechanical strength

The ball valve housing would not be deformed, cracked or broken during installation.



100% pressure test

Each ball valve undergoes an underwater pressure check.



Guaranteed quality

MOFÉM branding and year of manufacture are pressed into the ball valve, guaranteeing quality.



Over 50 million valves sold

The AHA ball valve range has been a participant in the assembly industry for 40 years and its success is evidenced by more than 50 million assemblies sold.

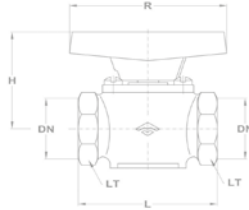


Stainless steel screws

The sphere and sealing elements are closed by a cover secured with stainless steel screws.



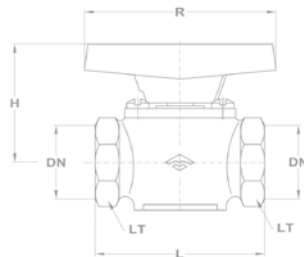
Ball valve with female x female connection



Nominal size		Typical dimensions in mm				BB
mm	inch	L	H	R	Lt.	Code
8	1/4"	50	41	65	19	113-0001-00
10	3/8"	50	41	65	22	113-0002-00
15	1/2"	60	43	65	27	113-0007-00
20	3/4"	75	55	85	34	113-0018-00



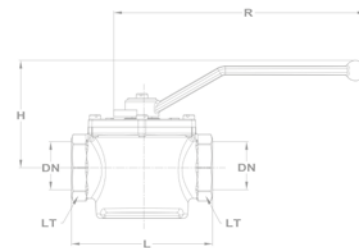
Ball valve with female x female connection



Nominal size		Typical dimensions in mm				BB
mm	inch	L	H	R	Lt.	Code
25	1"	90	64	105	41	113-0034-00
32	5/4"	107	69	105	50	113-0051-00



Ball valve with female x female connection

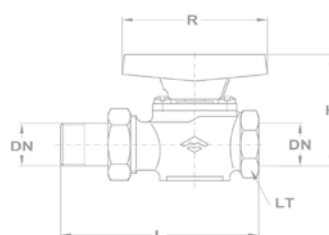


Nominal size		Typical dimensions in mm				BB
mm	inch	L	H	R	Lt.	Code
40	6/4"	125	96,5	105	55	113-0052-00
50	2"	159	113	105	70	113-0053-00



Ball valve with female x male connection

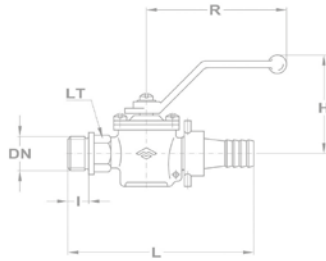
- With extension
- With flat seal



Nominal size		Typical dimensions in mm				BB
mm	inch	L	H	R	Lt.	Code
15	1/2"	69	43	65	27	113-0009-00
20	3/4"	80	55	85	34	113-0026-00
25	1"	105	64	105	41	113-0038-00



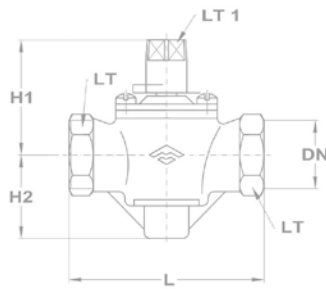
Boiler filling ball valve



Nominal size		Typical dimensions in mm					Boiler filler
mm	inch	L	H	R	I	Lt.	Code
15	1/2"	107	52	90	12	19	113-0010-00
20	3/4"	142	78	110	15	17	113-0023-00



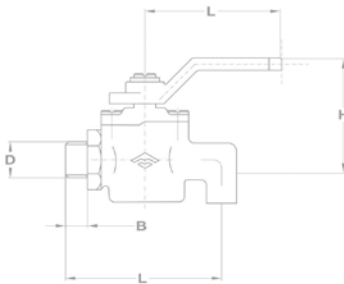
Water main valve



Nominal size		Typical dimensions in mm					Water main valve
mm	inch	Lt1	L	H1	H2	Lt	Code
20	3/4"	14	86,5	56	45	32	113-0019-00



Draining ball valve

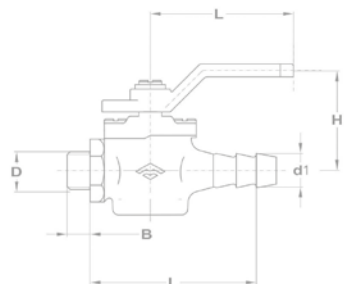


Nominal size		Typical dimensions in mm					Draining ball valve
mm	inch	L	I	H	B	D	Code
8	1/4"	54	55,5	40	8	1/4"	113-0045-00
10	3/8"	54	55,5	40	8	3/8"	113-0046-00
15	1/2"	54	55,5	40	12	1/2"	113-0047-00



Laboratory ball valve

• For laboratory use



Nominal size	Typical dimensions in mm					KB	
	L	I	H	B	D	D1	Code
1/4"	65	55,5	40	8	1/4"	12	113-0048-20
3/8"	65	55,5	40	8	3/8"	12	113-0049-20
1/2"	65	55,5	40	12	1/2"	12	113-0050-20



Flexum gas ball valves

Featured functions

Operating temperature

Min. -20 °C Max. 60 °C

Permitted operating pressure

gas industry: 5 bar, building engineering: 16 bar

Applicable medium

Gases (LPG, ethane, butane, methane, natural gas etc.)
Drinking water Industrial water



Guaranteed quality

MOFÉM branding and year of manufacture are pressed into the ball valve, guaranteeing quality.



100% pressure test

Each ball valve undergoes an underwater pressure check.

Bracing bars

Hungarian designers placed stiffener ribs to increase the strength of the ball valve housing.

Guaranteed quality

Reliable operation, the valve closes perfectly.

EU Standard

German raw material tested and selected according to European Standard.

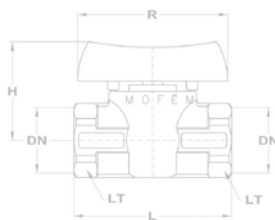
Protection against illegal gas intake

Az MSZ EN 331:2016 in accordance with the requirements of this standard, the seal cannot be removed without damaging the fitting or showing a visible trace of tampering.



Gas ball valve

- With female x female thread

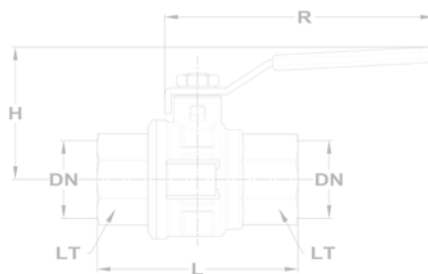


Nominal size	Typical dimensions in mm				BB
	L	H	R	Lt.	Code
1/2"	63	43	60	27	113-0065-10
3/4"	74	49	75	32	113-0067-10
1"	88	58	90	39	113-0069-10



Gas ball valve

- With female x female thread

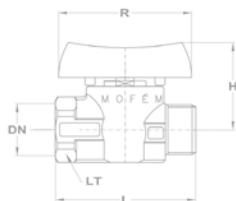


Nominal size	Typical dimensions in mm				BB
	L	H	R	Lt.	Code
5/4"	110	73	130	50	113-0076-00
6/4"	120	80	155	55	113-0077-00
2"	140	96	175	70	113-0078-00



Gas ball valve

- With fixed female x male connection



Nominal size	Typical dimensions in mm				KB
	L	H	R	Lt.	Code
1/2"	58	36	60	25	113-0074-10
3/4"	74	49	75	32	113-0095-10



Ball valve with thermal safety device

113-0074-35

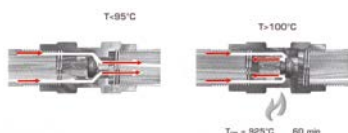
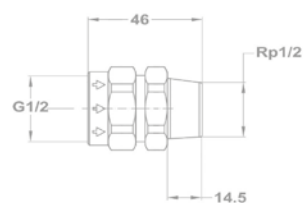
- Ball valve with female x male connection
- Thermal safety device
- Packing unit: 10 pcs/box



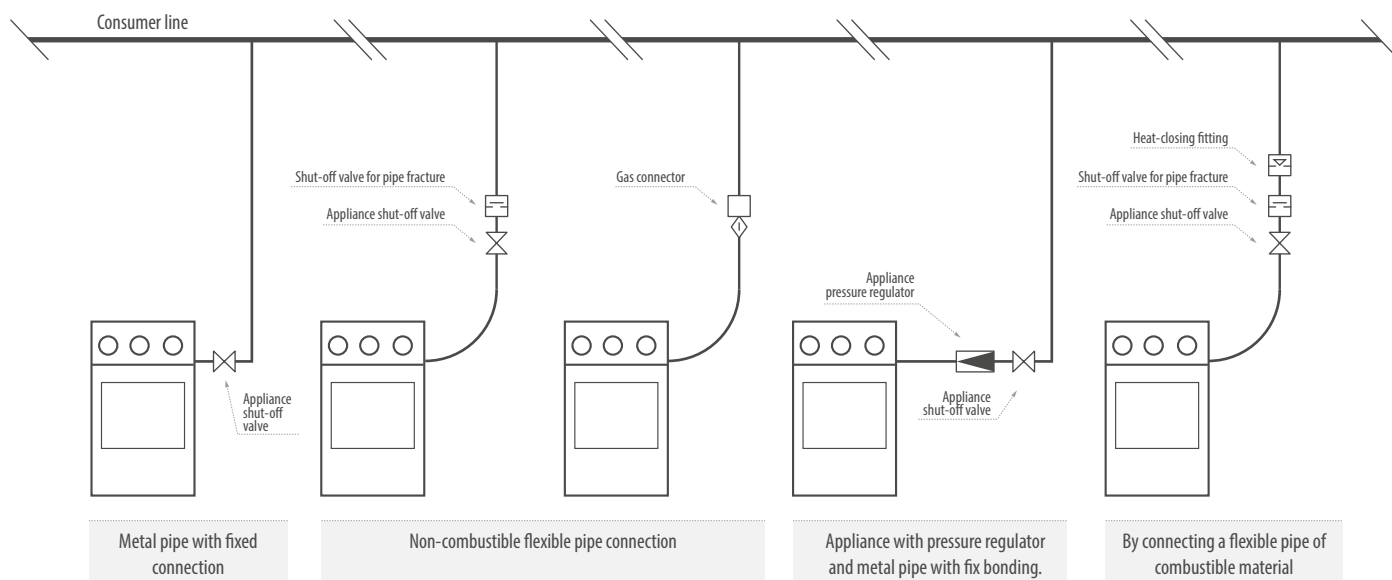
Thermal safety device

230-0079-07

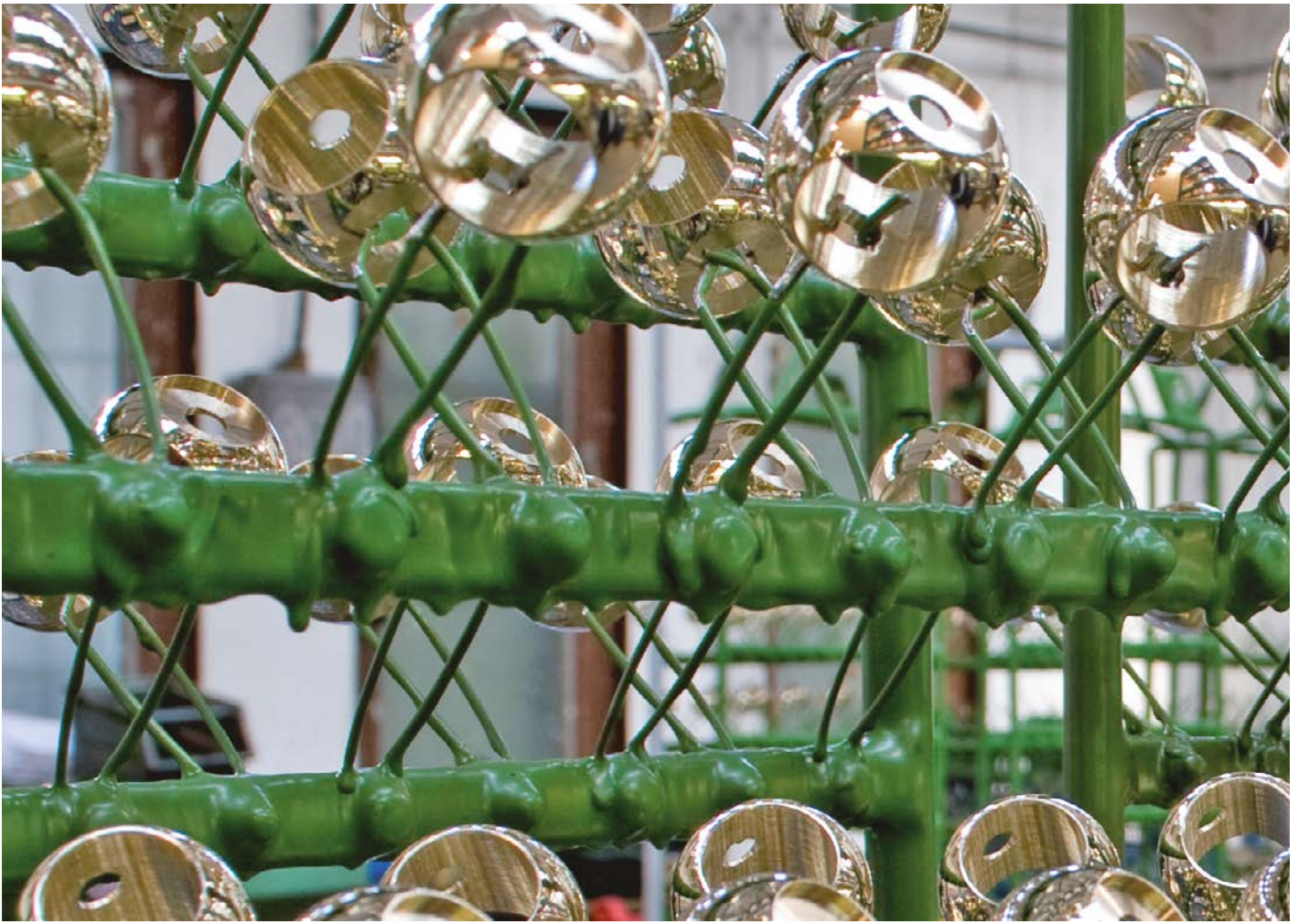
- Thermally controlled actuation: 95-100 °C
- Shutdown time max. 60 sec
- Maximum pressure: 0.5 MPa (5 bar) MOP 5
- Temperature load: 925 °C (up to 60 min)
- Ambient temperature max. 80 °C
- Made of stainless steel
- Packing unit: 10 pcs/box



Ball valve with thermal safety device

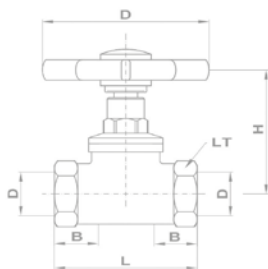


- „If a flexible pipe of combustible material is used, a heat-closing fitting and a pipe-fitting element have to be installed in front of the main shut-off device of the appliance.” (Government Decree of Technical Safety Regulation MBSZ 1/2020 (I.13.))
- The safety valve automatically shuts off the gas line in the event of a fire, preventing the gas from escaping. Applicable to natural gas, city gas and gas phase LPG.





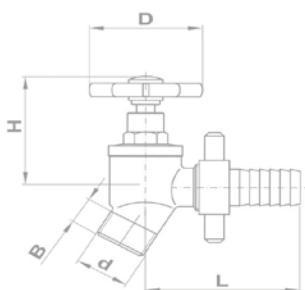
Water by-pass valve



Nominal size		Typical dimensions in mm			Water pressure reducer
mm	inch	L	H	D	Code
15	1/2"	56	50	53	111-0005-00
20	3/4"	70	60	56,1	111-0006-01



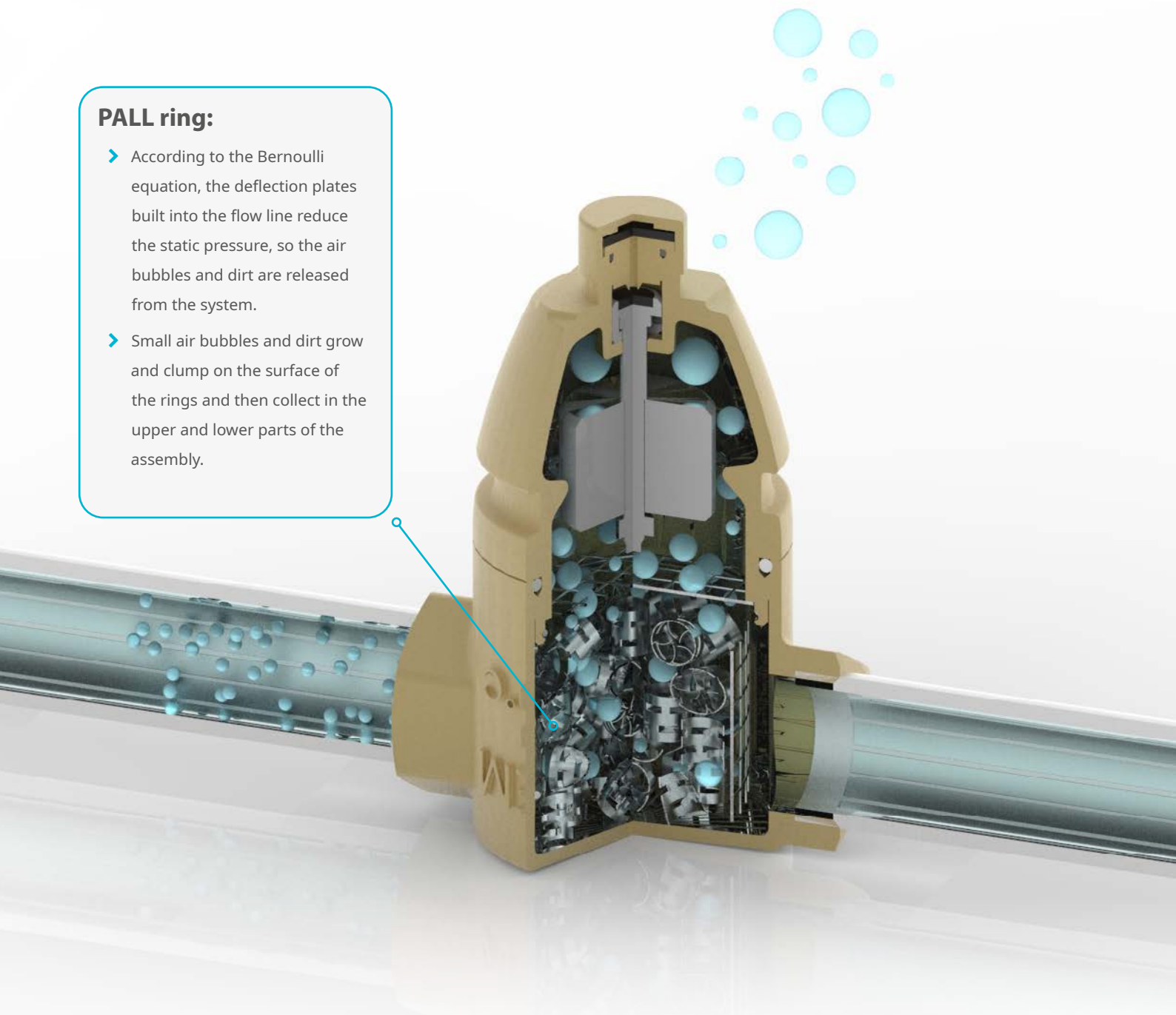
Garden watering valve



Nominal size		Typical dimensions in mm				Water pressure reducer	
mm	inch	L	H	L	H	D	Code
15	1/2"	65	40	8	1/2"	56,2	111-0001-00
20	3/4"	65	40	8	3/4"	56,2	111-0002-00
25	1"	65	40	12	1"	56,2	111-0003-00

PALL ring:

- According to the Bernoulli equation, the deflection plates built into the flow line reduce the static pressure, so the air bubbles and dirt are released from the system.
- Small air bubbles and dirt grow and clump on the surface of the rings and then collect in the upper and lower parts of the assembly.



Air and dirt separator

Featured functions



High quality brass

Made of high quality brass material, reliable operation.



Quality control

All products undergo a 100% quality control.



Easy to assemble

Quick and easy installation system. A 12 mm wrench is sufficient in most cases.

Reduces flow noise and circulatory disturbances.
Corrosion damage can be avoided (air bubble separator).

With its use, we can reduce system maintenance costs. Boiler protection (The boiler guarantee is void if no sludge separator is installed.)

Full range of types and sizes.
Combination of Hungarian development work and experienced production technology.

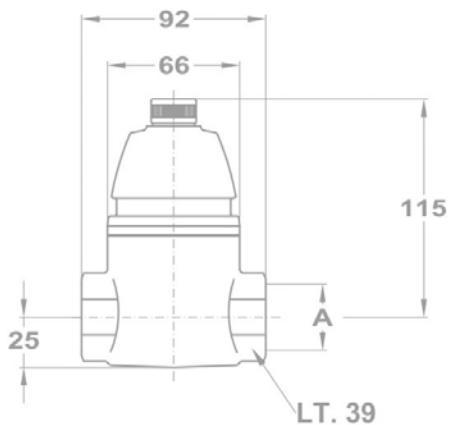


Air separator

- For closed heating systems
- Maximum pressure: 10 bar
- Maximum temperature: 120°C
- Air bubble size: min. 20-50 µm
- Metal basket filled with PALL rings:
- Small air bubbles form larger bubbles on the surface of the rings and rise to the top of the assembly/fittings.
- Installation: to the flow line after boiler.

Connection size ¾" **118-0010-00**

Connection size 1" **118-0007-00**

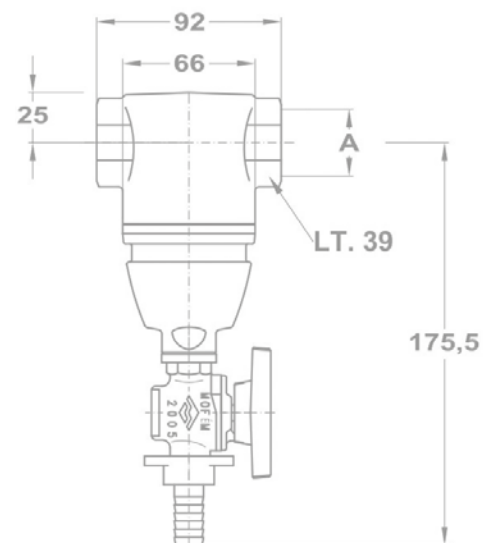


Dirt separator

- For closed heating systems
- Maximum pressure: 10 bar
- Maximum temperature: 120°C
- Air bubble size: min. 20-50 µm
- Metal basket filled with PALL rings:
- When the speed of incoming water slows down, the dirt particles fall to the bottom of the fitting. It can be emptied by opening the ball valve.
- Installation: to the returning cable in front of the boiler.

Connection size ¾" **118-0011-00**

Connection size 1" **118-0008-00**





AHA 1/2" ball valve sealing set (water):

273-0119-06

- 1 pc O-ring 7.3x2.4 NBR70
- 1 pc O-ring 29.1x1.6 NBR70
- 2 pcs sealing part size 15 NBR85



AHA 1/4" and 3/8" ball valve sealing set (water):

273-0118-06

- 1 pc O-ring 7.3x2.4 NBR70
- 1 pc O-ring 25.1x1.6 NBR70
- 2 pcs sealing part size 10 3/8"



AHA 3/4" ball valve sealing set (water):

273-0120-06

- 1 pc O-ring 7.3x2.4 NBR70
- 1 pc O-ring 29.1x1.6 NBR70
- 2 pcs sealing part size 15 NBR85



AHA 1" ball valve sealing set (water):

273-0121-06

- 1 pc O-ring 13.3x2.4 NBR70
- 1 pc O-ring 49.5x3 NBR70
- 2 pcs sealing part size 25 NBR85



AHA 5/4" ball valve sealing set (water):

273-0122-06

- 1 pc O-ring 13.3x2.4 NBR70
- 1 pc O-ring 64.5x3 NBR70
- 2 pcs sealing part size 32 NBR85
- 1 pc supporting ring



AHA 6/4" ball valve sealing set (water):

273-0123-06

- 1 pc O-ring 16.8x2.4 NBR70
- 1 pc O-ring 79.5x3 NBR70
- 2 pcs sealing part size 40 NBR85
- 1 pc supporting ring



AHA ball valve deck

- 1/4" - 3/8" **273-0134-06**
- 1/2" **273-0135-06**
- 3/4" **273-0136-06**
- 1" **273-0137-06**
- 5/4" **173-0040-00**
- 6/4" **173-0040-01**
- 2" **173-0040-02**



AHA ball valve ball with stem

- 1 pc complete ball valve ball

Sizes:

- For 1/4" - 3/8" ball valves **273-0125-06**
- For 1/2" ball valve **273-0126-06**
- For 3/4" ball valve **273-0127-06**
- For 1" ball valve **273-0128-06**



AHA ball valve ball with stem

- 1 pc complete ball valve ball
- Sealing set

Sizes:

- For 5/4" ball valve **173-0040-04**
- For 6/4" ball valve **173-0040-05**



AHA 2" ball valve sealing set (water):

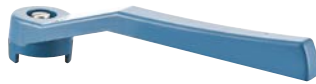
273-0124-06

- 1 pc O-ring 19.2x3 NBR70
- 1 pc O-ring 104.5x3 NBR70
- 2 pcs sealing part size 50 NBR85
- 1 pc ball valve ball with stem



Turning lever

- 1 pc red turning lever
- For AHA 1/2" boiler filler
[175-0012-00](#)
- For AHA 3/4" boiler filler
[175-0013-00](#)



Turning lever

- 1 pc blue turning lever
- For AHA 2" ball valve
[175-0011-00](#)
- For AHA 6/4" ball valve
[175-0010-00](#)



Handle knob

- 1 pc blue handle
- For AHA 1" and 5/4" ball valves
[175-0009-00](#)
- For AHA 3/4" ball valve
[175-0008-00](#)
- For AHA 1/4", 3/8" and 1/2" ball valves
[175-0007-00](#)



Headpart with handle

- For water by-pass valve 1/2"
[173-0040-03](#)
- For water by-pass valve 3/4"
[173-0040-06](#)



Tube connection

- 1 pc hose connection
- 1 pc earnut
- For 1/2" boiler filler, garden watering valve
[173-0040-07](#)
- For 3/4" boiler filler, garden watering valve
[173-0040-08](#)



Extension

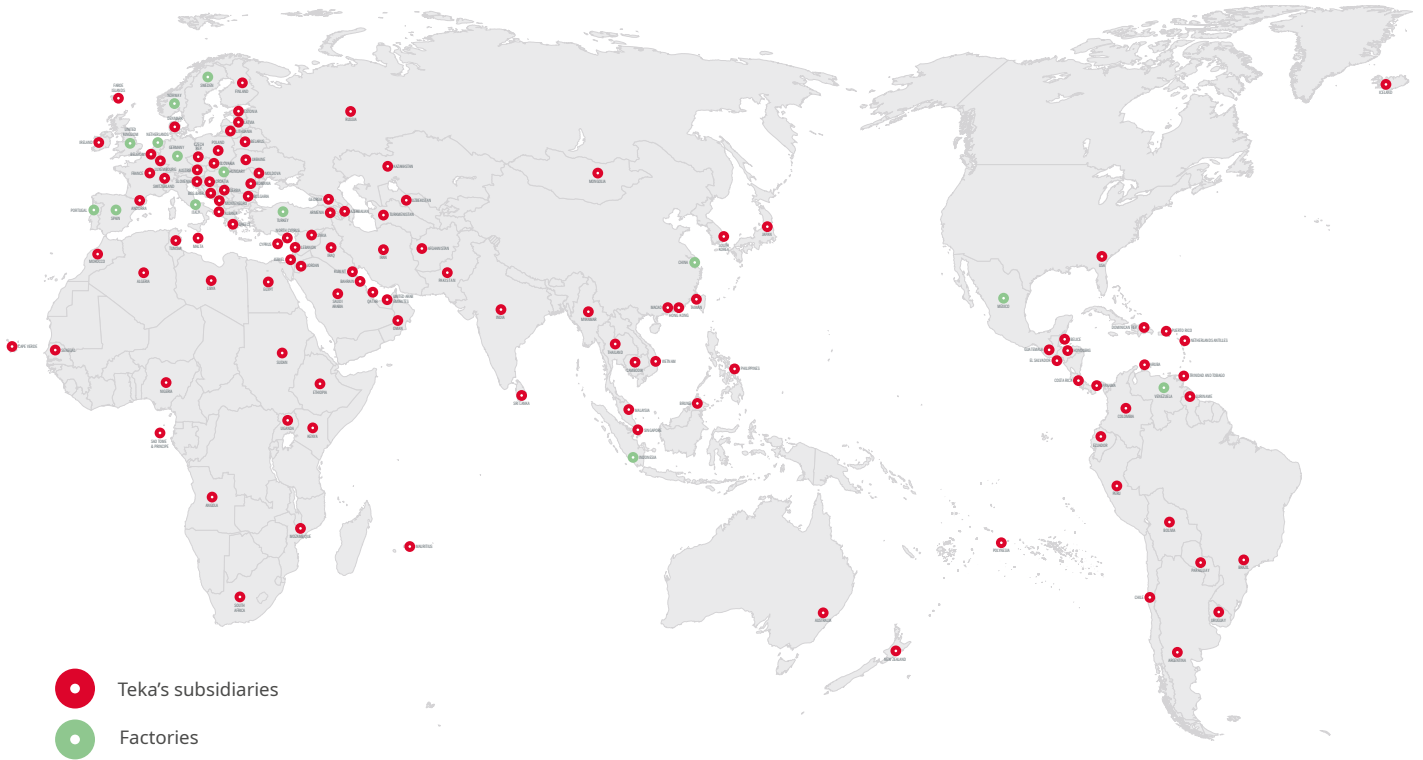
- 1 pc extension, nut and washer
- For 1/2" female x male ball valve
[173-0040-09](#)
- For 3/4" female x male ball valve
[173-0040-10](#)
- For 1" female x male ball valve
[173-0040-11](#)



Teka Group

TEKA

Teka Group companies are present in 37 countries, selling Teka sinks and appliances in 125 countries on 5 continents.



Kitchen and Bathroom

The Kitchen & Bathroom division is the largest business unit of the Teka Group. With 17 factories in Europe, America and Asia, the division is Europe's leading manufacturer of stainless steel sinks and kitchen appliances (ovens, hobs, hoods and more).

Teka provides comprehensive and integrated kitchen and bathroom solutions.



Professional kitchen

The Professional Kitchen Division designs, manufactures and sells standard and custom-made kitchen and catering layouts for hotel chains, restaurants, education centers, airports and sports clubs.

Thanks to the high-quality technology and design, it has gained recognition in the prestige sector, as evidenced by the award-winning Küche Award.



Container

This division specialises in the production of high quality stainless steel containers. Every 3rd beer keg in the world is manufactured by Teka. With a 35% share of the world market, it's the leading company of its sector. Partners in the container division include some of the world's leading breweries, pharmaceutical and food companies. The container division manufactures and sells products from 5-liter barrels to 10,000-liter storage tanks.

Teka HUNGARY Zrt. (Mofém)



Teka Hungary Inc. is Hungary's market-leading manufacturer of bright fittings, and one of the largest European producers of water and gas ball valves, as well as the domestic distributor of Teka kitchen appliances.

All of us at Teka Hungary Inc. wish to thank our customers for choosing our products. We would also like to thank our partners for trusting us and our products. We are grateful for the magnificent tradition our predecessors have left us, and we work to pass it on to our descendants with dignity.

From ideas to implementation

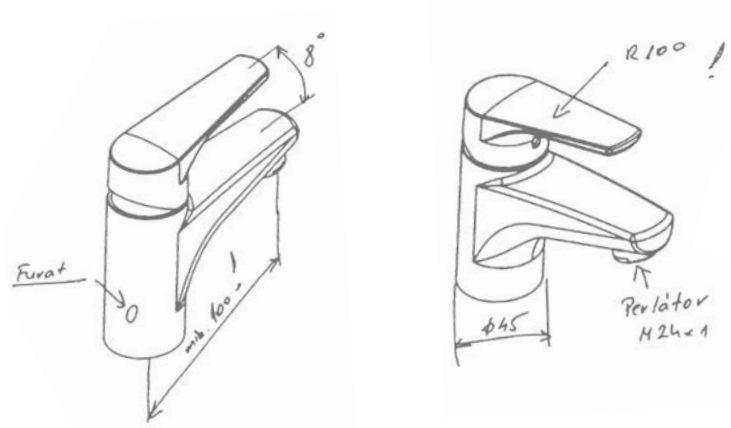
Gyula Fekete - Constructor, Product Development Designer and Engineer



Gyula Fekete

Gyula Fekete, the renowned designer and product developer has been working for the MOFÉM team since 1986. Our construction and product development engineer participated in designing the Flexum ball valve range that won the Hungarian Product Grand Prix in 2008. He is the leading designer of MOFÉM's program, aimed at the modernisation of old panel buildings and offering state-of-the-art solutions. In addition to constructing various engineering and technical accomplishments, he has also been involved in numerous design development projects, such as bringing to existence the formal predecessor of the Junior ECO family, the Delfin single-lever mixer family. He is also the creator of the Infra sensor and

thermostatic mixers. In addition, the design of the latest generation of the Junior range, the JUNIOR EVO single-lever mixer is associated with his name.





Manufacturing process



1

CASTING

Computer-controlled casting machines guarantee constant and homogeneous quality.



2

MACHINING PLANT

The cast parts are machined by modern CNC transfer machines.



3

GRINDING AND POLISHING PLANT

The grinding process is automated by robot technology, thus ensuring constant quality.



4

ELECTROPLATING PLANT

Fully automated electroplating plant equipped with the most strict environmental technologies.



5

SPECIAL SURFACES

High-resistance varnishes and other next-generation surfaces such as phosphorescent paints and nanotechnology.



6

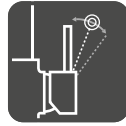
ASSEMBLY AND PACKAGING PLANT

The assembly plant performs functional and leakage tests on 100% of the products. Products and parts are packaged in carefully prepared protective packaging.



Opening range 90°

Cartridge saves energy by giving only cold water in central position of the handle. The 90° opening range allows the mixer to be placed directly next to the wall.



MOFÉM ECO Click

MOFÉM ECO Click is a water-saving system where the control unit collides when the handle is in a half-open position, letting through 50% of the total water flow. By opening the handle further, full water flow can be achieved.



Safe touch system

Some of our models include this extra security feature for an even higher level of protection.



Easy to clean

Remove limescale by simply press the exit holes with your fingertips.



Quick and easy installation

Quick and easy installation system. A 12 mm wrench is sufficient in most cases.



Environmental protection

With the help of thermostatic mixers, we can save water and energy, and protect the environment.



Child safety

All our thermostatic mixers are equipped with a temperature stop function at 38°C. This device prevents unwanted temperature fluctuations, reducing the risk of scalding. We take care of you and your family.



Telescopic shower system

All Mofém telescopic shower systems are equipped with a telescopic shower bar, allowing you to easily adjust the desired height.



TOUCHLESS TECHNOLOGY

Thanks to the touchless technology, our M-Tronic mixers are operated without contact, thus reducing the risk of infection and the deposition of bacteria on the hands.



Ultra Slim shower head

2mm thick stainless steel shower head.



Anti-twist

Thanks to the Anti-twist system, you can avoid unpleasant tangling of the shower hose.



Pull-down shower

Pull-down kitchen shower for comfortable use.



Pull-out shower

Pull-out kitchen shower for comfortable use.



Water saving

The washbasin mixer contains an aerator that reduces water consumption to 7,5-9 l/min.



Water saving

The washbasin mixer contains an aerator that reduces water consumption to 5 l/min.



Durability

The design and material of MOFÉM flexible inlet pipes allow the products to operate safely even after a long time.



2 in 1

Our two-in-one bath/washbasin mixers provide a solution for filling up the bathtub and washbasin using a single mixer - ideal in small bathrooms.



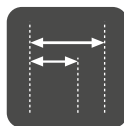
Easy to clean

Thanks to the chrome-plated brass surfaces, the accessories can be cleaned in the same way as the mixers.



Scald protection

Forget about scalds caused by high temperature water by using our washbasins that come with a scald-protected cartridge.



Wide installation size range

It is easy to install, thanks to the adjustable tabs and the 27 mm installation range on the box.



Spare parts program

We provide components for the marked products in a transparent system, in blister packaging with store counter displays.



Vandal proof

Vandal proof and high-resistance aerator, very difficult to damage.



35 mm low

Our products marked with this icon are equipped with a 35 mm low cartridge.



35 mm high

Our products marked with this icon are equipped with a 35 mm high cartridge.



40 mm low

Our products marked with this icon are assembled with a 40 mm low cartridge.



40 mm high

Our products marked with this icon are assembled with a 40 mm high cartridge.



35 mm low non-standard

Our products marked with this icon are equipped with a 35 mm low cartridge other than our standard cartridge.



35 mm high non-standard

Our products marked with this icon are equipped with a 35 mm high cartridge unlike our standard cartridges.



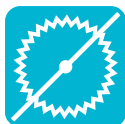
2x45° cartridge

Our products marked with this icon are equipped with a cartridge with a 2x45° opening range.



HOW TO CLEAN YOUR MIXER?

Hygiene and keeping bathroom surfaces clean is an essential part of everyday life. Because of their constant use, cleaning them is essential. To achieve the perfect effect, just follow a few simple steps.



Do not use abrasive cleaning products, especially non-abrasive sponges, as they may damage the surface.



In most cases, the mixer can be cleaned with water, liquid soap, or a specially formulated product. Lemon juice is an effective home-made alternative for removing limescale.



Any greasy stain can be removed with dishwashing liquid.



Do not use salt or abrasive acidic cleaners to remove surface stains. They can cause permanent damage.



You can remove stubborn stains with a liquid metal cleaner and a soft cloth. Use a metal restorative to clean scratches and the most damaged surfaces.



Chrome-plated mixers can be cleaned with a damp cloth. Just wipe the surface dry with a cloth.



502-0040-01

How to treat limescale residues?

The MOFÉM Active limescale remover is suitable for cleaning up limescale, dirt, greasy and soap-stained surfaces. The biodegradable citric acid-based cleaner has been specially developed for mixers and bathroom accessories. And thanks to the ergonomic nozzle bottle, it provides comfortable use.



ECO PROGRAM

During the development of MOFÉM products, we place great emphasis on water and energy saving aspects. This environmentally conscious thinking appears in all our product ranges:



WASHBASIN MIXERS

ECO AERATORS Anti-scale flow regulator and limiting elements which can save up to 60% of your water consumption.
SCALDING PROTECTION Ceramic control unit with scalding protection and temperature limit.



THERMOSTATIC MIXERS

Thanks to the ECO button and safety temperature stop function at 38°C, MOFÉM thermostatic mixers save water and provide scald protection.



Sink mixers

The MOFÉM ECO Click is a water-saving system where the handle collides with the control unit in half-open position and only lets through 50% of the total water flow. By opening the handle further, full water flow can be achieved.



SHOWERS

Flow control valve enables you to save water every time you use the shower.



ELECTRONIC MIXERS

MOFÉM M-TRONIC mixers have a three-stage water saving system:

1. ECO aerators: you can save up to 50% of your water consumption with special flow regulator elements.
2. Thanks to the sensor, water only flows out of the mixer as long as it is needed. As soon as it detects there's no movement, it immediately shuts off.
3. The safety time limit guarantees that the mixer won't remain open or drip after use.



OPERATING LIFE

	MOFÉM	EU STANDARD
Headparts	+500.000 cycles	200.000 cycles
Ceramic cartridges	+350.000 cycles	70.000 cycles
Spouts	+300.000 cycles	80.000 cycles
Shower diverters	+100.000 cycles	30.000 cycles

FEATURES



Ceramic cartridge

Forget scalds caused by high temperature water - use our washbasins that come with a scald-protected cartridge. The cartridge enables precise and reliable temperature control, and thanks to the limiting element, the energy required to produce hot water can also be saved.



Ceramic discs

All Mofém ceramic control units contain high-strength sintered ceramic plates. The porous surface of the discs keeps the lubricant longer and results in a finer, softer movement, thus extending the life of the mixer. The actuating element is insulated from water, thus ensuring continuous lubrication.



Headparts

MOFÉM - ceramic headparts (Treff and Golf range)
Our ceramic headparts provide more precise control and alleviate the effects of overpressure. The noise reduction filter reduces the noise level to normal without affecting the water path. Meets the requirements of UNE EN 200 standard.



Headparts

MOFÉM - Traditional upper part (Eurostar range)
In our traditional headparts, friction-free rubber rings perform control. The construction of the headpart provides constant lubrication. The lubricant doesn't dissolve in water and is harmless to living organisms.



AERATORS



The **MOFÉM** single-lever basin mixers have outstanding water-saving properties. Thanks to the aerators with flow regulator, we can achieve 50% or even 60% water savings with them (depending on the model).



The new generation **HONEYCOMB**[®] type aerator is made of a special plastic that prevents scale from building up. Its design is vandal-proof, thanks to the flow guide and the aerator housing that form a unit.

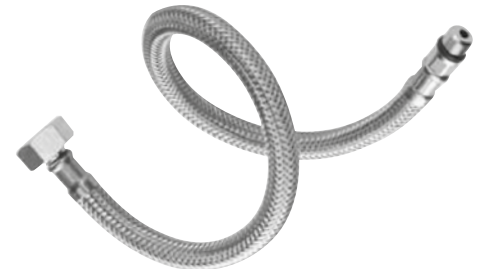


The **Coin Slot** aerator provides the perfect water flow. No special tools are required for installation. With the coin-shaped design in the middle, one coin is enough to remove or install the aerator. Thanks to the **HONEYCOMB**[®] structure, it's also easy to keep clean.

FLEXIBLE INLET PIPES



Our flexible inlet pipes also meet the requirements of the most strict European quality control authorities. The connecting pipes are reinforced from the outside with a stainless steel mesh. Nickel-plated brass connectors are not oxidised, the water tightness of the connectors is ensured by the built-in O-rings.



QUALITY CERTIFICATES



kiwa

NETHERLANDS



RUSSIA



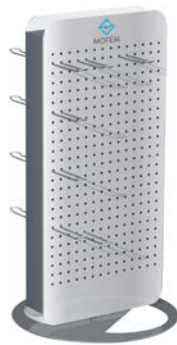
HUNGARY



HUNGARY


MOFÉM table/desktop display
509-0003-93
Sizes (mm):

400 | 380 | 180


Rotating display wall
509-0003-69
Sizes (mm):

340 | 730 | 400


Sink and washbasin mixer display
509-0003-92
Sizes (mm):

900 | 450 | 450


MOFÉM mixer display
509-0003-91
Sizes (mm):

2030 | 650 | 335

Box for shower systems
509-0013-91
With double platform
509-0023-91

MOFÉM shower program and Fiesta display wall
509-0003-23
Sizes (mm):

2170 | 660 | 380


Linear display
509-0003-94
Sizes (mm):

1400 | 555 | 263

This catalog contains our current offer at the time of publication. The manufacturer can change its product range and product characteristics after completing the editing of the catalog. The images, illustrations, colours, descriptions and technical data in this catalog are for information only. The manufacturer reserves the right to change the products and technical parameters. Therefore, we ask our customers to inquire about the size, technical parameters, features and accessories of the products before ordering them.

Important warning! Before installing the products, always make sure if you have purchased the exact size, and entrust the installation to a specialist recommended by the dealers, as the dimensions and other data in the catalog may change due to product development and other reasons. The manufacturer and distributor of the product are not liable for any damage that may result from non-compliance with this recommendation.

The manufacturer and distributor of the products are not liable for damage caused by improper use. The entire catalog or some of its details are protected by law, which may not be used for profit without the prior permission of the rights holder or Teka HUNGARY Zrt. Teka HUNGARY Zrt. is not liable for any misspellings or typographical errors in the catalog.

For more information please visit www.mofem.hu

Reference number	page	Reference number	page	Reference number	page	Reference number	page
23.121.28.00	15, 105	113-0074-10	166	151-1751-00	39, 111	162-0035-07	103, 139
23.122.28.00	15, 105	113-0074-35	167	151-1801-00	53, 113	162-0035-17	103, 139
23.171.28.00	16, 105	113-0076-00	166	151-1851-00	53, 113	163-0002-00	103, 139
23.231.28.00	16, 105	113-0077-00	166	151-1901-00	23, 107	163-0006-00	61, 103, 139
23.232.28.00	16, 105	113-0078-00	166	151-1951-00	23, 107	163-0010-10	140
23.241.28.00	16, 105	113-0095-10	166	152-0023-00	50, 96, 113	163-0014-00	103, 140
23.342.28.50	15, 105	118-0007-00	173	152-0034-00	57, 98, 114	163-0015-01	103, 140
23.346.28.50	15, 105	118-0008-00	173	152-0035-00	57, 98, 114	164-0014-00	140
23.622.28.00	15, 105	118-0010-00	173	152-0047-00	35, 95, 110	164-0015-00	140
23.913.28.00	16, 87, 105	118-0011-00	173	152-0048-00	35, 92, 109	164-0016-00	140
23.915.28.00	16, 88, 105	140-0017-00	45, 112	152-0049-00	34, 95, 110	164-0017-00	140
23.938.28.00	16, 88, 105	140-0018-30	45, 112	152-0050-00	34, 92, 109	165-0027-00	50, 141
23.939.28.00	16, 88, 105	140-0020-30	45, 112	152-0052-00	35, 93, 110	165-0027-04	141
25.201.28.00	31, 109	140-0187-30	45, 112	152-0052-01	35, 92, 110	165-0027-05	141
25.202.28.00	33, 73, 117	140-0189-30	45, 112	152-0052-02	34, 92, 109	165-0032-00	157
25.376.29.00	29, 108	140-1251-06	41, 111	152-0052-03	34, 95, 110	166-0002-00	141
25.915.29.00	36, 96, 110	140-2198-00	59, 114	152-0067-00	35, 95, 110	166-0002-01	141
25.994.29.00	36, 96, 110	141-0013-30	45, 112	152-0069-00	34, 93, 109	166-0007-00	141
25.996.29.00	36, 96, 110	141-0094-00	59, 114	152-0082-00	34, 92, 109	166-0009-00	135
32.322.28.50	19, 106	141-1301-00	41, 111	152-1551-02	20, 88, 106	166-0010-00	135
32.362.28.50	19, 106	141-1351-00	41, 111	152-1551-04	20, 91, 106	168-0005-00	141
40.121.28.00	11, 104	142-0010-30	46, 99, 112	152-1551-06	20, 88, 106	169-0001-00	31, 79
40.122.28.00	11, 104	142-0148-00	60, 99, 114	152-1551-07	20, 88, 106	169-0002-00	31, 79
40.171.28.00	12, 104	142-0151-00	46, 99, 112	152-1851-00	53, 96, 113	169-0003-00	78
40.231.28.00	12, 104	142-1351-01	43, 98, 111	152-1951-00	24, 91, 107	169-0003-01	78
40.232.28.00	12, 104	142-1351-02	43, 98, 111	152-1951-01	24, 91, 107	169-0003-02	78
40.241.28.00	12, 104	142-1351-03	43, 98, 111	152-1951-02	24, 91, 108	169-0003-03	78
40.342.28.50	11, 104	142-2152-00	60, 99, 114	152-1951-03	24, 91, 107	169-0014-00	125
40.346.28.50	11, 104	143-0006-00	45, 112	153-0009-00	50, 113	169-0015-00	125
40.622.28.00	11, 104	143-0007-00	46, 74, 117	153-0009-04	50, 113	169-0017-00	125
40.913.28.00	12, 87, 104	143-0109-00	59, 114	153-0009-31	50, 113	169-0018-00	125
40.938.28.00	12, 87, 105	143-0110-00	59, 114	153-0017-00	56, 114	169-0020-00	125
40.978.28.00	12, 87, 105	143-0111-00	59, 114	153-0017-03	56, 114	169-0025-00	156
40.994.28.00	12, 87, 105	143-0115-00	59, 114	153-0017-30	56, 114	170-0005-00	31, 109, 133
51.121.28.00	9, 104	143-0118-00	135	153-0047-00	30, 109	170-0006-00	31, 109, 133
51.122.28.00	9, 104	143-0118-01	135	153-0047-10	30, 109	170-0009-00	33, 71, 116
51.231.28.00	9, 104	143-1301-00	41, 111	153-0047-40	30, 109	170-1901-00	26, 70, 116
51.232.28.00	9, 104	143-1351-00	41, 111	153-0048-00	32, 74, 117	172-0001-00	31, 131
51.346.28.50	9, 104	145-2068-00	59, 114	153-0049-00	33, 71, 116	173-0030-00	150
51.356.28.50	9, 104	145-2069-00	59, 114	153-0065-00	31, 109, 133	173-0030-01	150
51.382.28.50	9, 104	145-2071-00	59, 114	153-1501-00	19, 106	173-0030-02	150
51.386.28.50	9, 104	146-0033-00	61, 103, 115	153-1551-00	19, 106	173-0030-03	150
51.915.28.00	9, 87, 104	146-0034-00	61, 103, 115	153-1551-01	20, 106	173-0030-04	150
75.309.28.00	123	146-0042-00	60, 103, 115, 140	153-1551-10	20, 106, 133	173-0030-05	150
75.309.28.F0	123	146-0051-00	135	153-1701-00	39, 111	173-0030-06	150
75.309.28.G0	123	146-0052-00	135	153-1751-00	39, 111	173-0030-07	150
75.310.28.00	123	146-1261-00	41, 103, 111, 140	153-1801-00	53, 113	173-0031-00	151
75.310.28.F0	123	150-0018-00	49, 112	153-1851-00	53, 113	173-0032-00	151
75.310.28.G0	123	150-0021-00	49, 112	153-1901-00	23, 107	173-0032-01	151
84.201.28.00	25, 108	150-0050-00	49, 112	153-1901-01	26, 70, 116	173-0032-02	151
84.202.28.00	25, 73, 117	150-0051-00	55, 113	153-1901-02	27, 71, 116	173-0032-03	151
84.382.28.00	23, 107	150-0076-00	55, 113	153-1901-03	26, 70, 116	173-0032-04	151
111-0001-00	171	150-0057-00	29, 108	153-1951-00	23, 107	173-0032-05	151
111-0002-00	171	150-0058-00	29, 108	154-0047-00	30, 108	173-0032-06	151
111-0003-00	171	150-0060-00	29, 108	154-1701-00	39, 111	173-0032-07	151
111-0005-00	171	150-0061-00	29, 108	154-1901-00	23, 107	173-0032-08	151
111-0006-01	171	150-0074-00	29, 108	155-0044-00	56, 114	173-0032-09	152
113-0001-00	163	150-0075-00	29, 108	155-0044-01	56, 114	173-0032-10	152
113-0002-00	163	150-0077-00	55, 113	155-0050-00	31, 109	173-0034-00	152
113-0007-00	163	150-1501-00	19, 106	155-0050-10	31, 109	173-0034-01	152
113-0009-00	163	150-1551-00	19, 106	155-0069-00	31, 109	173-0035-00	153
113-0010-00	164	150-1551-04	19, 106	155-0070-00	31, 109	173-0035-01	153
113-0018-00	163	150-1701-00	39, 111	156-0001-00	83	173-0035-02	153
113-0019-00	164	150-1751-00	39, 111	156-0002-00	83, 100	173-0035-03	153
113-0023-00	164	150-1751-02	39, 111	156-0003-00	83, 100	173-0035-04	153
113-0026-00	163	150-1801-00	53, 113	159-0021-00	37, 110, 137	173-0036-00	154
113-0034-00	163	150-1851-00	53, 113	159-0022-00	37, 110, 137	173-0036-01	154
113-0038-00	163	150-1901-00	23, 107	159-0023-00	37, 110, 137	173-0036-02	154
113-0045-00	164	150-1951-00	23, 107	159-1501-00	21, 107, 137	173-0036-03	159
113-0046-00	164	150-1951-01	23, 107	159-1551-02	21, 107, 137	173-0036-04	159
113-0047-00	164	151-0012-00	49, 112	159-1551-06	21, 107, 137	173-0036-05	159
113-0048-20	164	151-0012-02	49, 112	160-0020-00	30, 63, 108, 115	173-0036-06	159
113-0049-20	164	151-0021-00	55, 113	160-0021-00	35, 63, 92, 109, 115	173-0036-07	154
113-0050-20	164	151-0021-03	55, 113	160-2004-02	60, 63, 115	173-0036-08	154
113-0051-00	163	151-0063-00	30, 108	160-2004-20	60, 63, 99, 115	173-0036-09	159
113-0052-00	163	151-0063-10	30, 108	161-0028-01	60, 63, 99, 115	173-0036-10	154
113-0053-00	163	151-0066-00	31, 109, 133	161-0031-40	63, 95, 115	173-0036-11	154
113-0065-10	166	151-0068-00	55, 114	162-0001-00	103, 139	173-0036-12	154
113-0066-10	166	151-0069-00	55, 114	162-0002-00	103, 139	173-0036-13	154
113-0067-10	166	151-1501-00	19, 106	162-0005-00	103, 139	173-0036-14	154
113-0068-10	166	151-1551-00	19, 106	162-0006-00	61, 103, 139	173-0037-00	155
113-0069-10	166	151-1551-10	20, 106, 133	162-0007-00	103, 139	173-0037-01	155
113-0070-10	166	151-1701-00	39, 111	162-0008-00	103, 139	173-0037-02	155

Reference number	page	Reference number	page	Reference number	page	Reference number	page
173-0037-03	155	273-0034-06	156	273-0183-06	158	533-0003-02	143
173-0037-04	155	273-0036-06	156	275-0031-07	76	533-0003-03	143
173-0038-00	156	273-0037-06	156	275-0032-07	76	533-0003-04	143
173-0038-01	157	273-0038-06	157	275-0033-07	76	533-0003-05	143
173-0038-02	157	273-0039-06	151	275-0034-07	77	533-0003-06	143
173-0038-03	157	273-0042-06	154	275-0035-07	77	533-0003-07	143
173-0038-04	156	273-0043-06	154	275-0036-07	77	533-0003-08	143
173-0038-05	157	273-0044-06	154	275-0037-07	77	533-0003-09	143
173-0038-06	157	273-0047-06	154	275-0038-07	79	533-0003-10	143
173-0038-08	157	273-0048-06	159	275-0039-07	79	533-0003-11	143
173-0038-09	157	273-0049-06	158	275-0041-07	56, 61, 78	533-0003-12	143
173-0038-10	156	273-0050-06	158	275-0042-07	78	533-0003-13	143
173-0039-00	158	273-0051-06	159	275-0043-07	76	533-0003-14	143
173-0039-01	159	273-0053-06	150	275-0054-07	79	533-0003-15	143
173-0039-02	159	273-0054-06	150	275-0055-07	78	533-0003-16	143
173-0039-03	157	273-0056-06	150	275-0059-07	32, 69, 74, 117	533-0003-17	143
173-0039-04	157	273-0057-06	150	279-0076-08	75, 117	533-0003-18	143
173-0039-05	159	273-0058-06	152	501-0002-00	129	533-0004-00	143
173-0039-06	159	273-0059-06	157	501-0002-01	129	533-0004-01	143
173-0039-07	158	273-0063-06	154	501-0002-02	129	533-0004-02	143
173-0039-08	157	273-0064-06	157	501-0003-00	129	533-0004-03	143
173-0040-00	174	273-0065-06	154	501-0003-01	129	533-0004-04	143
173-0040-01	174	273-0067-06	158	501-0003-02	129	533-0004-05	143
173-0040-02	174	273-0071-06	154	501-0004-00	129	533-0004-06	143
173-0040-03	175	273-0077-06	157	501-0004-01	129	533-0004-07	143
173-0040-04	174	273-0078-06	155	501-0004-02	129	533-0004-08	143
173-0040-05	174	273-0079-06	156	501-1010-00	50, 81	533-0004-09	143
173-0040-06	175	273-0080-06	155	501-1011-00	81	533-0004-10	143
173-0040-07	175	273-0081-06	155	501-1012-00	81	533-0004-11	143
173-0040-08	175	273-0082-06	158	501-1013-00	81	533-0004-12	143
173-0040-09	175	273-0083-06	158	501-1020-00	56, 81	533-0004-13	143
173-0040-10	175	273-0085-06	152	501-1021-00	81	533-0004-14	143
173-0040-11	175	273-0086-06	152	501-1021-01	81	533-0004-15	143
175-0001-00	78	273-0087-06	152	501-1022-00	56, 81	533-0005-00	144
175-0002-00	78	273-0088-06	151	501-1022-01	81	533-0005-01	144
175-0003-00	77	273-0106-06	156	501-1030-00	56, 81	533-0005-02	144
175-0004-00	77	273-0107-06	156	501-1040-00	81	533-0005-03	144
175-0005-00	78	273-0108-06	155	501-1040-01	81	533-0005-04	144
175-0006-00	78	273-0109-06	152	501-1050-00	50, 81	533-0005-05	144
175-0007-00	175	273-0111-06	157	501-1050-01	81	533-0005-06	144
175-0008-00	175	273-0112-06	153	501-1060-00	81	533-0005-07	144
175-0009-00	175	273-0113-06	150	501-1070-00	81	533-0005-08	144
175-0010-00	175	273-0118-06	174	501-1071-00	50, 81	533-0005-09	144
175-0011-00	175	273-0119-06	174	501-1072-00	81	533-0005-10	144
175-0012-00	175	273-0120-06	174	501-1080-00	81	533-0005-11	144
175-0013-00	175	273-0121-06	174	501-1080-01	81	533-0005-12	144
175-0014-00	159	273-0122-06	174	501-1080-02	81	533-0005-13	144
180-7501-00	124	273-0123-06	174	501-1081-00	80	533-0005-14	144
180-7501-03	124	273-0124-06	174	502-0040-01	141, 182	533-0005-15	144
180-7511-00	124	273-0125-06	174	509-0003-23	186	533-0006-00	144
180-7511-03	124	273-0126-06	174	509-0003-69	186	533-0006-01	144
180-7521-00	124	273-0127-06	174	509-0003-91	186	533-0006-02	144
180-7521-03	124	273-0128-06	174	509-0003-92	186	533-0006-03	144
182-7501-03	124	273-0134-06	174	509-0003-93	186	533-0006-04	144
182-7511-03	124	273-0135-06	174	509-0003-94	186	533-0006-05	144
182-7521-03	124	273-0136-06	174	509-0013-91	186	533-0006-06	144
184-7501-00	125	273-0137-06	174	509-0023-91	186	533-0006-07	144
184-7501-10	125	273-0141-06	153	513-0008-00	169	533-0006-08	144
184-7511-10	125	273-0142-06	153	513-0010-00	169	533-0006-09	144
230-0079-07	167	273-0148-06	131	513-0015-00	169	533-0006-10	144
273-0009-06	156	273-0151-06	157	513-0020-00	169	533-0006-11	144
273-0010-06	155	273-0153-06	151	513-0025-00	169	533-0006-12	144
273-0011-06	150	273-0154-06	151	513-0032-00	169	533-0006-13	144
273-0012-06	155	273-0155-06	152	513-0040-00	169	533-0006-14	144
273-0013-06	150	273-0156-06	152	513-0050-00	169	533-0007-00	145
273-0014-06	156	273-0157-06	151	533-0002-00	146	533-0007-01	145
273-0015-06	155	273-0158-06	151	533-0002-01	146	533-0007-02	145
273-0016-06	155	273-0160-06	152	533-0002-02	146	533-0007-03	145
273-0017-06	150	273-0161-06	152	533-0002-03	146	533-0007-04	145
273-0018-06	152	273-0162-06	152	533-0002-04	146	533-0007-05	145
273-0019-06	152	273-0163-06	158	533-0002-05	146	533-0007-06	145
273-0020-06	153	273-0164-06	158	533-0002-06	146	533-0007-07	145
273-0021-06	153	273-0165-06	154	533-0002-07	146	533-0007-08	145
273-0022-06	152	273-0166-06	154	533-0002-08	146	533-0007-09	145
273-0023-06	152	273-0167-06	154	533-0002-09	146	533-0007-10	145
273-0024-06	153	273-0168-06	154	533-0002-10	146	652-0042-00	50, 96, 113
273-0025-06	153	273-0169-06	157	533-0002-11	146	652-0072-00	57, 98, 114
273-0026-06	153	273-0170-06	154	533-0002-12	146		
273-0027-06	153	273-0173-06	159	533-0002-13	146		
273-0028-06	153	273-0174-06	159	533-0002-14	146		
273-0029-06	154	273-0177-06	155	533-0002-15	146		
273-0030-06	154	273-0178-06	155	533-0003-00	143		
273-0033-06	154	273-0182-06	158	533-0003-01	143		



Teka HUNGARY Zrt.

H-9200 Mosonmagyaróvár, Terv u. 92.

customer service: 06 80 474 574

Phone: 06 96 / 574-500 • Fax: 06 96 / 574-501

info@teka.hu

www.mofem.hu • www.teka.com





www.mofem.hu